



Surround Collection Series Assembly Guide

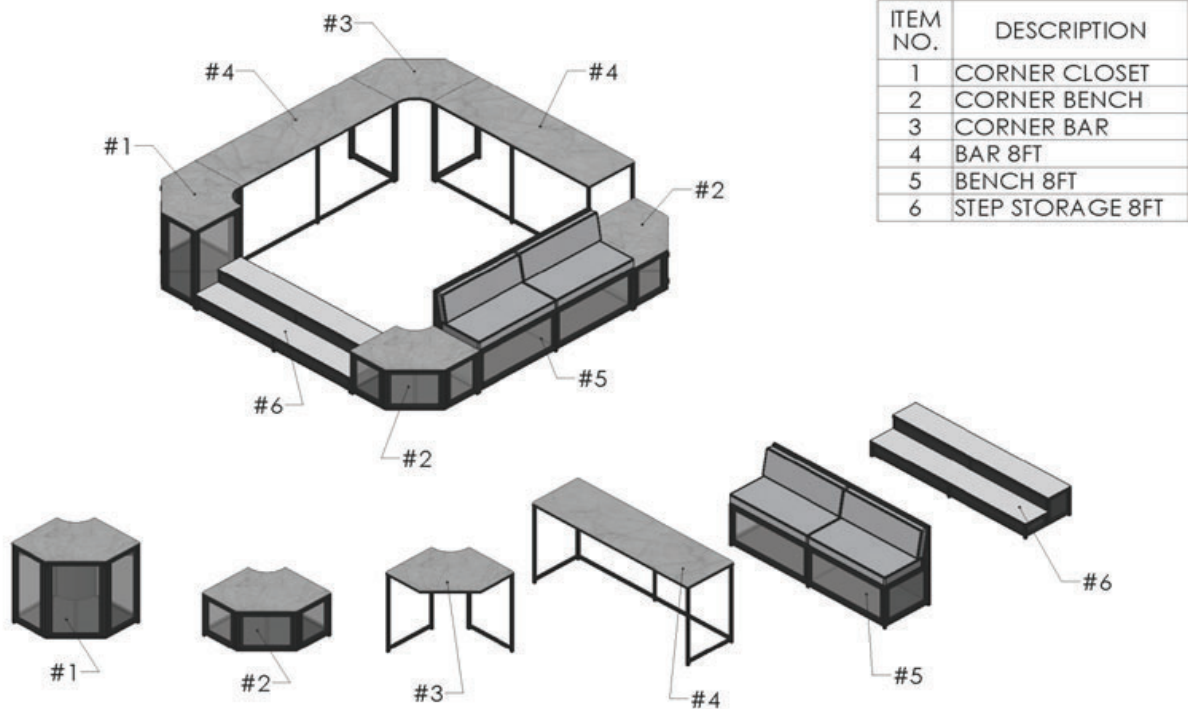


CONTACT INFORMATION

For customer service, please contact your authorized dealer immediately. If you need additional information and/or assistance, contact:

Lloyd's Material Supply Company, Inc.
Customer Service Department
1462 East Ninth Street
Pomona, CA 91766.

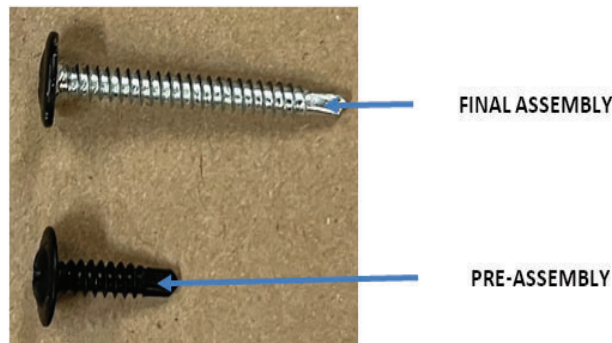
Toll Free: 1-800-CAL-SPAS
Fax: 1-909-629-3890



When you get your disassembled Spa Surround, it will include hardware provided for you to assemble the 7-piece surround for your spa. This hardware includes long and short screws.

- Separate the short screws from the long screws (pictured below).
- Please be careful to not mix the short screws which are (for pre-assembly) and the long screws (final assembly).

These instructions will apply to the 7-foot, 8-foot, and 11-foot version of the Cal Spas Surround Collections Series

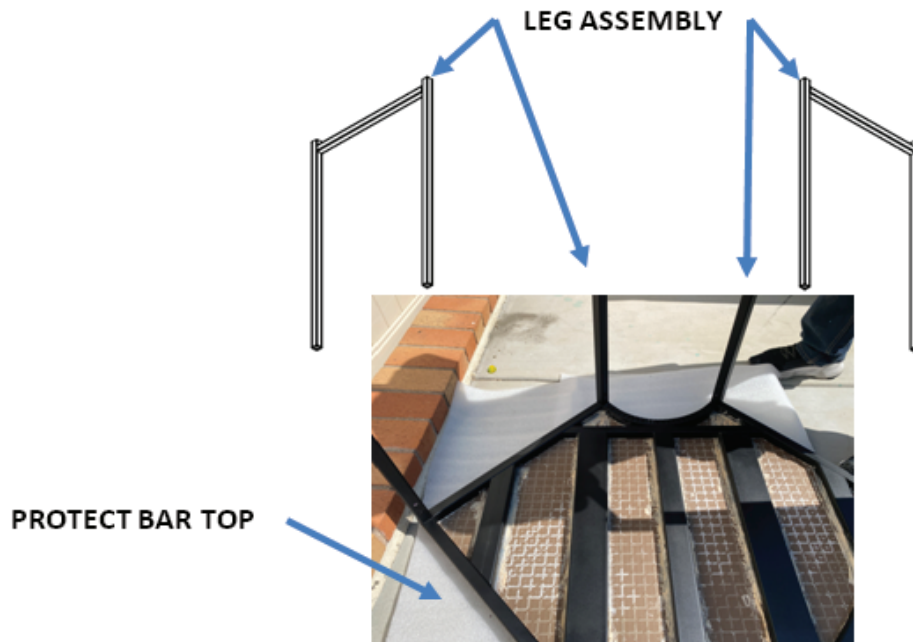


1. Determine which pieces are included with surround as some may require pre-assembly before the surround can be assembled around spa **NOTE:** Hardware is provided for both pre-assembly (short screws) of individual units and for final assembly (long screws) of the spa surround. **DO NOT** mix pre-assembly hardware (short screws) with final assembly hardware (long screws).

2. Assemble Corner Bar (Item 3)



- A. Place protective material on floor to prevent damage to top
- B. Place bar top on floor with top side down
- C. Slide a leg assembly into each end of corner bar

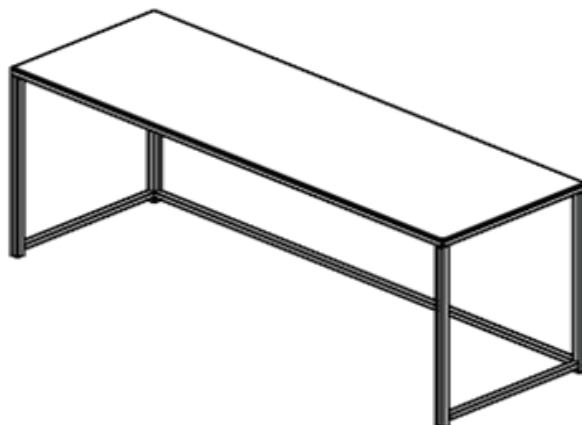
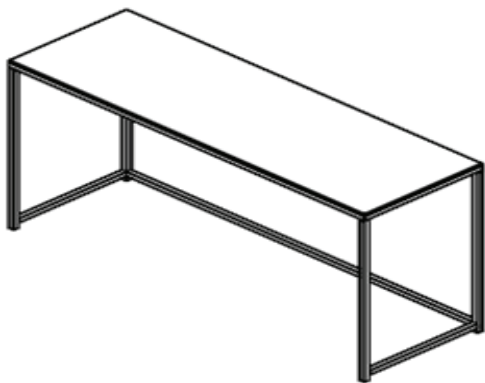


- D. Use short screws to attach leg assemblies to corner bar

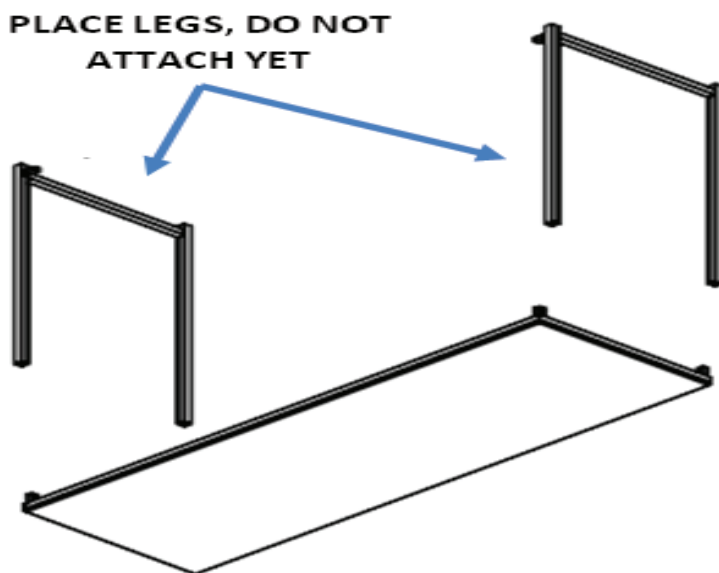


3. Assemble Bar 7FT (Item 4)

3. Assemble Bar 8FT (Item 4)



- A. Place protective material on floor to prevent damage to bar top.
- B. Place bar top on floor top side down (the pegs will be right side up).
- C. Place right and left leg assemblies into top, do not screw into place



- D. Place cross bar in place between legs and use short screws to attach all pieces together.

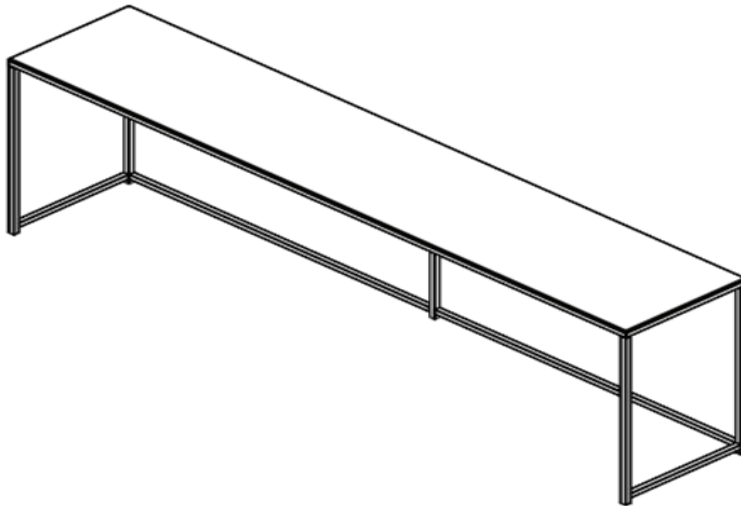


E. Use short screws to attach legs to bar top

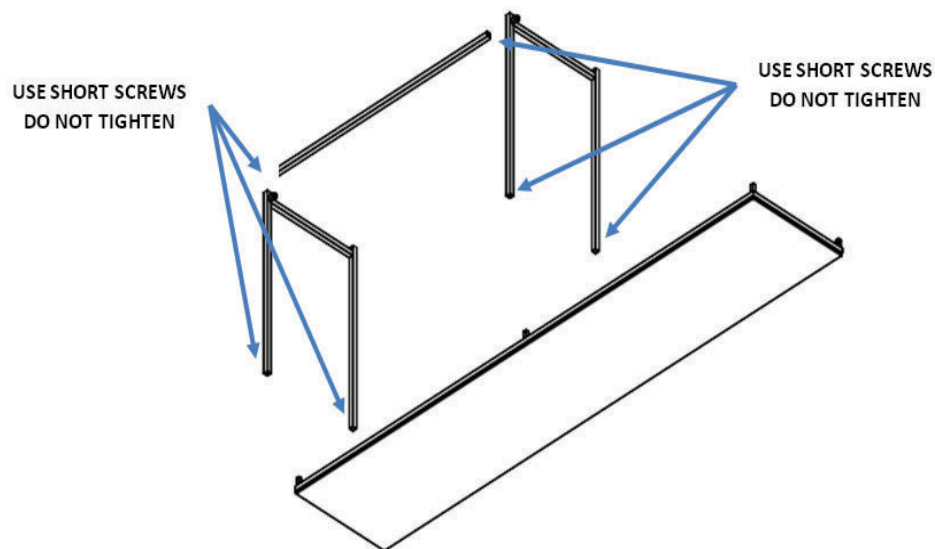


ATTACH LEGS TO TOP

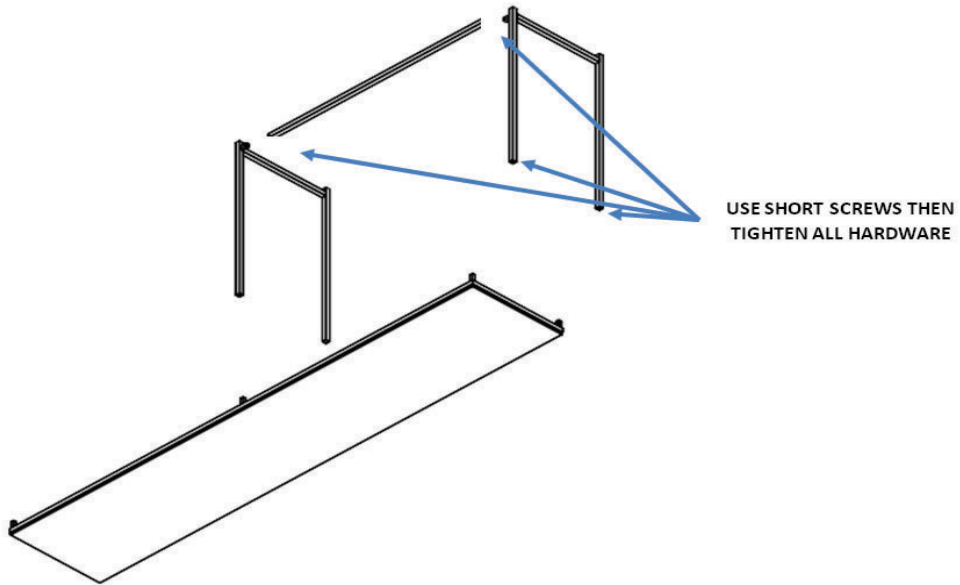
4. Assemble Bar 11FT (Item 7)



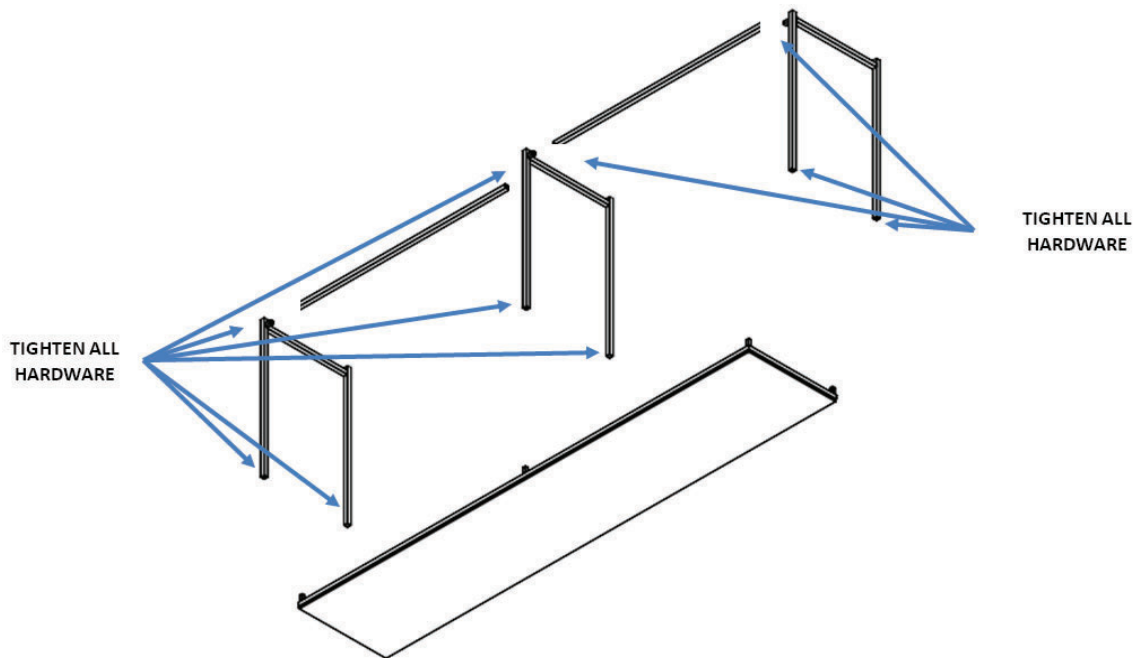
- A. Place protective material on floor to prevent damage to bar top
- B. Place bar top on floor top side down
- C. Place one side and center left leg assemblies into top
- D. Place cross bar between them and use short screws to attach all together but do not tighten at this time



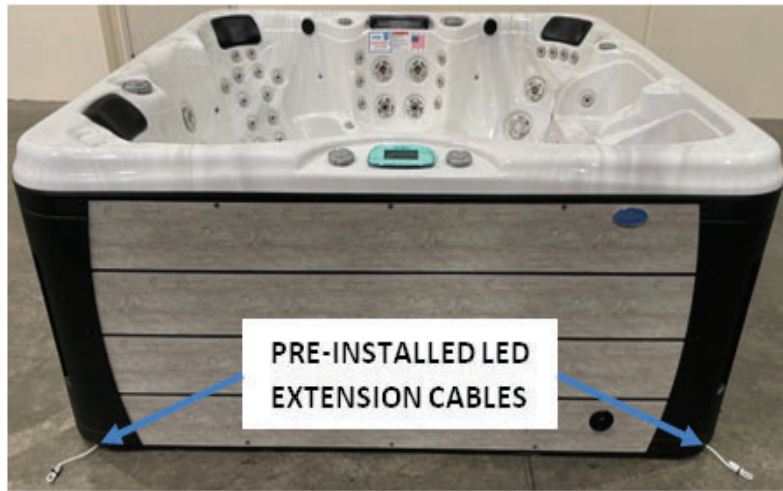
E. Place other side leg into top then place cross bar between side leg and center leg
(11-foot model)



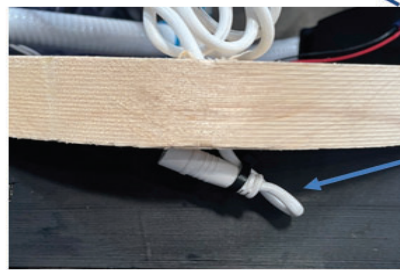
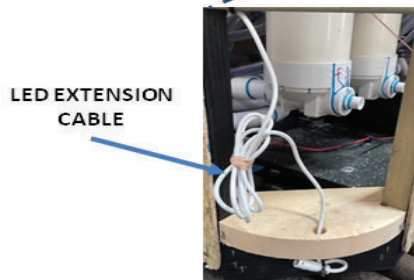
F. Use short screws to attach side leg and cross bar together and tighten all other hardware



5. Pull out pre-installed LED extension cables from under the two front corners.



A. Reach under corner panel and carefully feel for cable.



NOTE: SPA SHOWN IN ABOVE IMAGES WITHOUT CORNER PANEL FOR CLARITY. IT IS NOT NECESSARY TO REMOVE CORNER PANELS.

B. Gently but firmly pull cable downward and out from under corner. Pull out approximately 30" of cable.

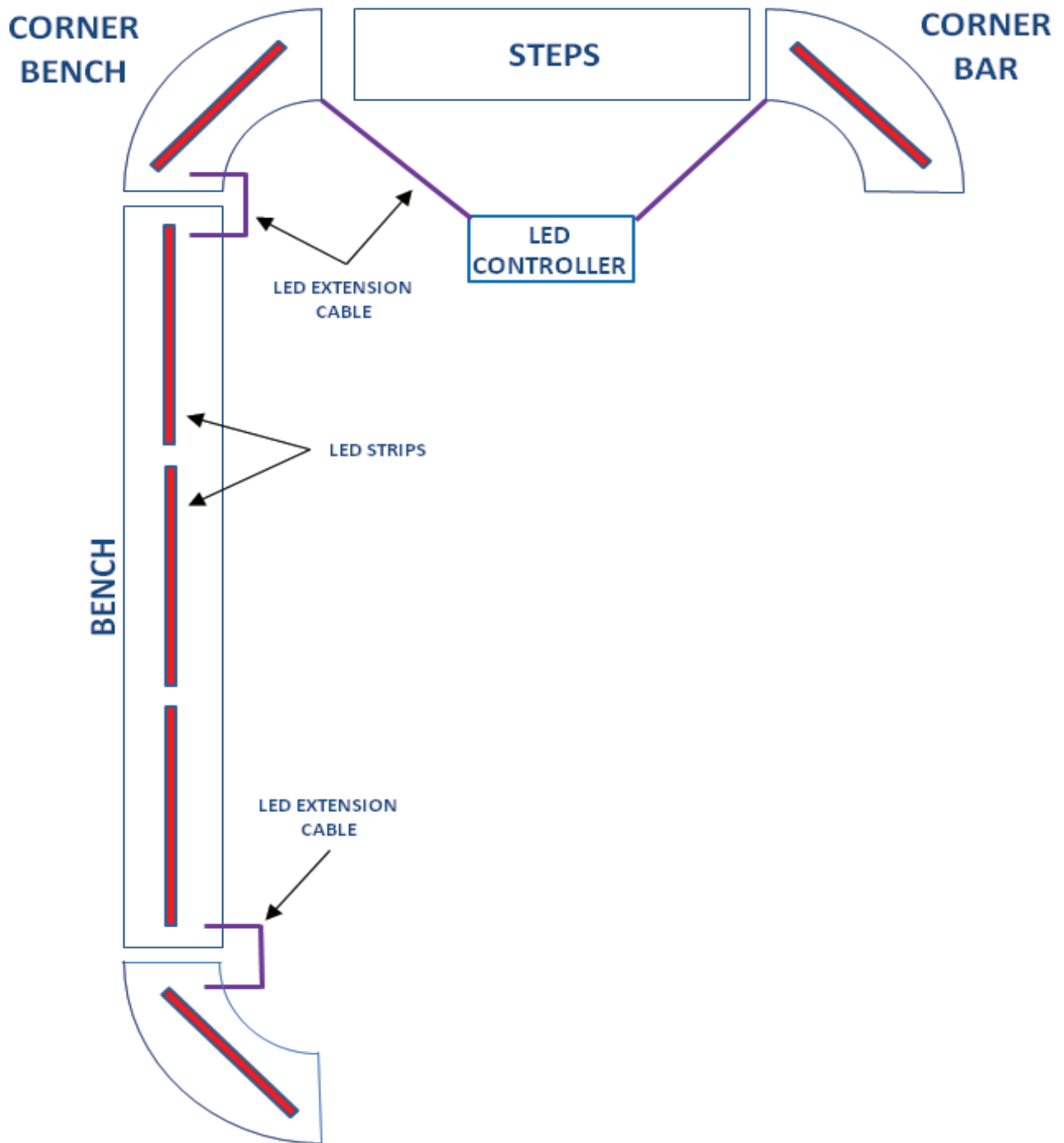
6. Once pre-assembly is complete and the LED extension cables have been pulled out, begin staging all components in their approximate locations.



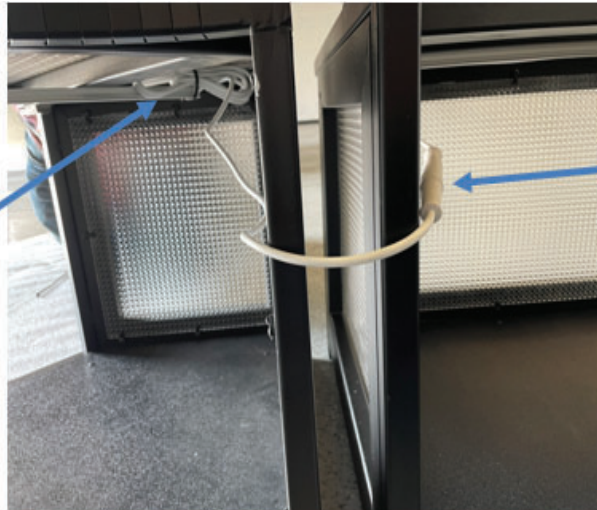
STAGE ALL COMPONENTS



7. All components with lighting are daisy chained together; they are powered by the LED extension cables found under the front corner panels. Right corner panel cable powers all components on right side, left corner cable powers left side components as shown in below drawing. For components with lighting, route LED cables to rear of unit and connect all cables together. Leave loose, route and dress when surround assembly has been completed.



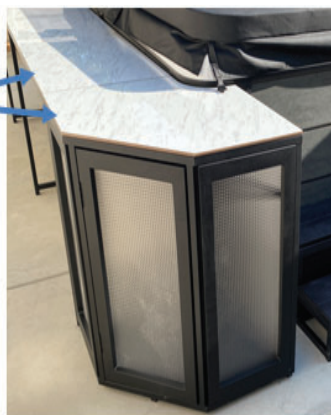
LED CABLE &
EXTENSION CABLE



ROUTE CABLES BEHIND
COMPONENTS AND CONNECT

8. Bar top components all get attached together using the long screws provided. Once all cables have been connected together begin attaching surround components to each other.
 - A. When attaching components together it is recommended that you start at the corner and work your way towards the rear of the spa.
 - B. Ensure components are square and level, then clamp together to ensure they do not shift when screwing together.

TOPS SQUARE AND
LEVEL TO EACH OTHER



CLAMP TOGETHER

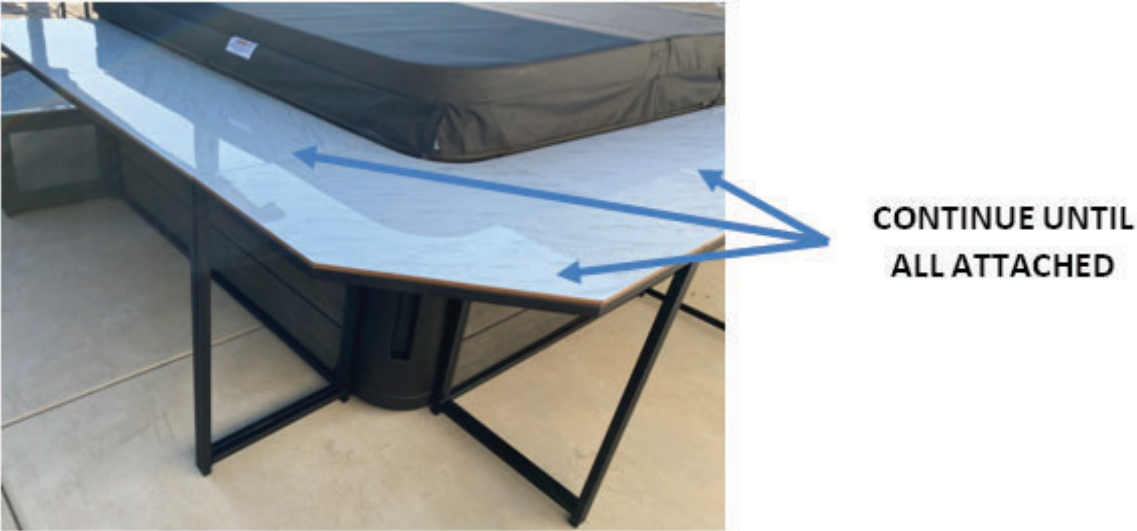


**clamps are not included with the shipped hardware*

C. Attach together using 4 long screws, one at each corner.

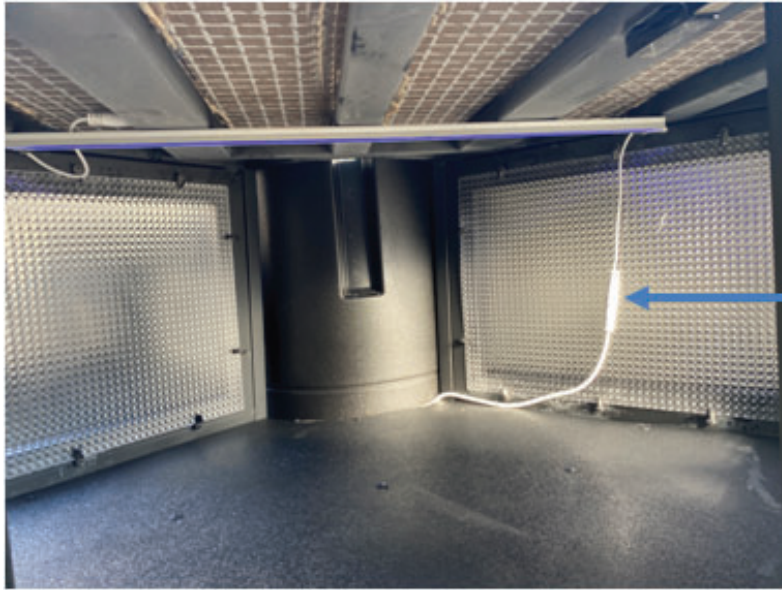


D. Continue attaching components together in the same manner until all bar tops are attached together.



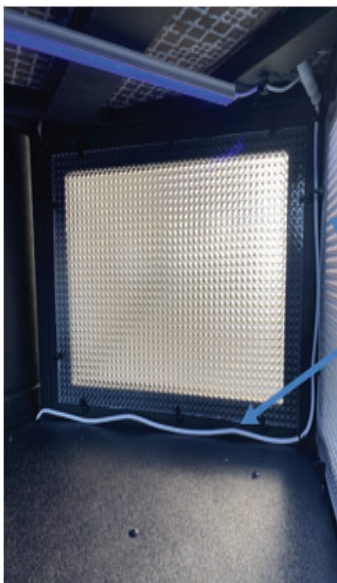
9. Once all bar tops are attached together open units with lighting and neatly route and dress cables using cable ties as required.

A. Verify all connections between components have been made.

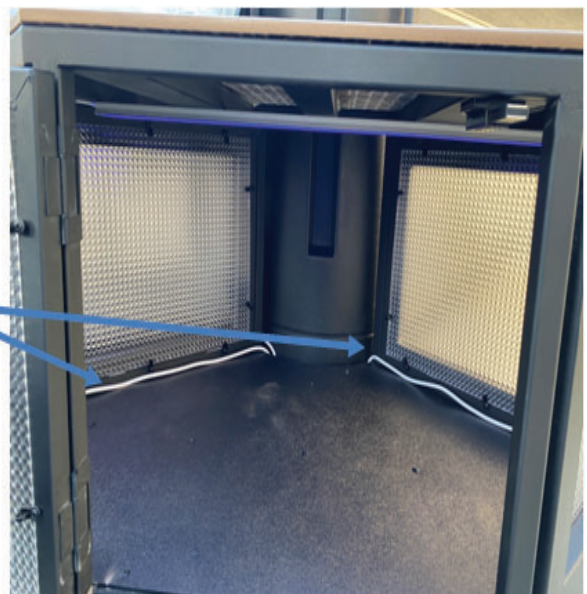


**VERIFY ALL
CONNECTIONS MADE**

B. Route and dress cables using cable ties as required.



ROUTE AND DRESS



**cable ties are not included with the shipped hardware*

Surround Collection Series Assembly Guide

- Illustration is for the 8 foot model only. The 7 foot and 11 foot model may vary.
- Illustration shows a 5-piece setup. These include steps, one bar, the bench and two front corners.
- Optional bench on left side.
- Item / part number ACCT-03 cover lift can only be used on 5 foot spa only.
- Illustrations are of the 7 feet, 8 feet, and 11 feet spas with these options.
- Shimming will be required if foundation isn't completely level.
- Cover lift can only be used on spas that have the 5-piece surround setup.

CONTACT INFORMATION

For customer service, please contact your authorized dealer immediately. If you need additional information and/or assistance, contact:

Lloyd's Material Supply Company, Inc.
Customer Service Department
1462 East Ninth Street
Pomona, CA 91766.

Toll Free: 1-800-CAL-SPAS
Fax: 1-909-629-3890

