

CAL METRO™



CONTACT INFORMATION

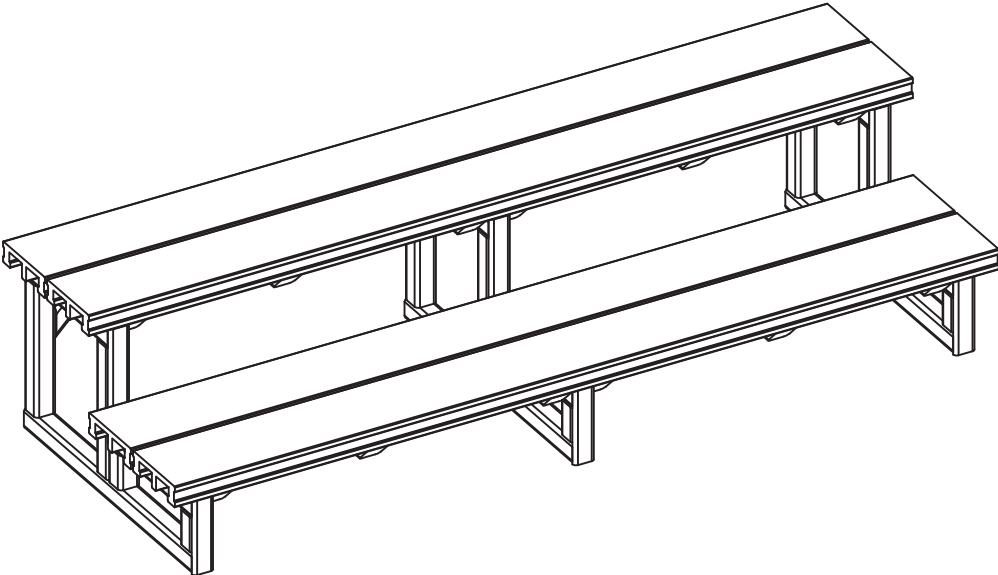
For customer service, please contact your authorized dealer immediately. If you need additional information and/or assistance, contact:

Lloyd's Material Supply Company, Inc.
Customer Service Department
1462 East Ninth Street
Pomona, CA 91766.

Toll Free: 1-800-CAL-SPAS
Fax: 1-909-629-3890

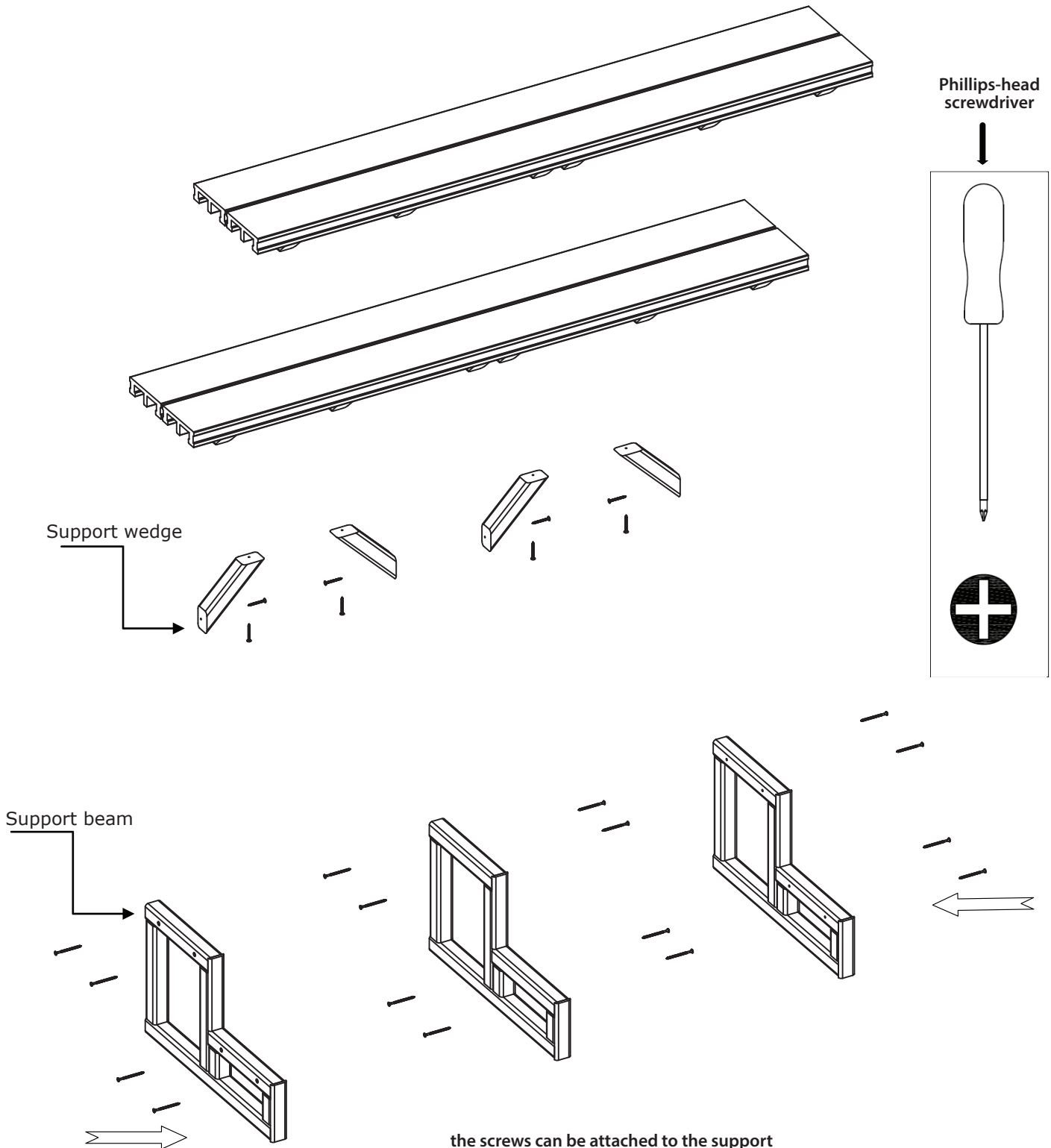
LTR20091088
6/30/2023

The drawing below represents the finished product after assembly.



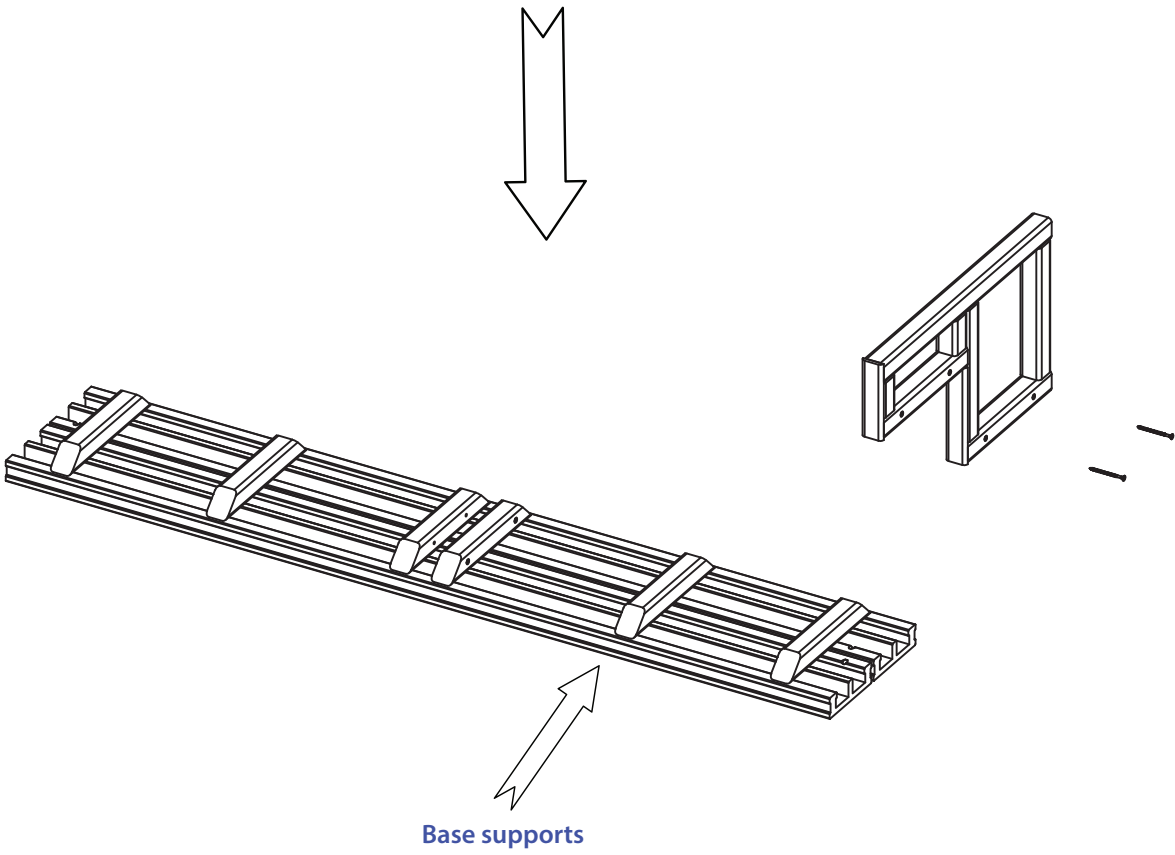
Once you open your Cal Metro™ 2- Tier Steps you will find the separate pieces ready for assembly.

Two long, straight pieces when joined will form your Cal Metro steps. You will need a Phillips-head screwdriver to complete the assembly.



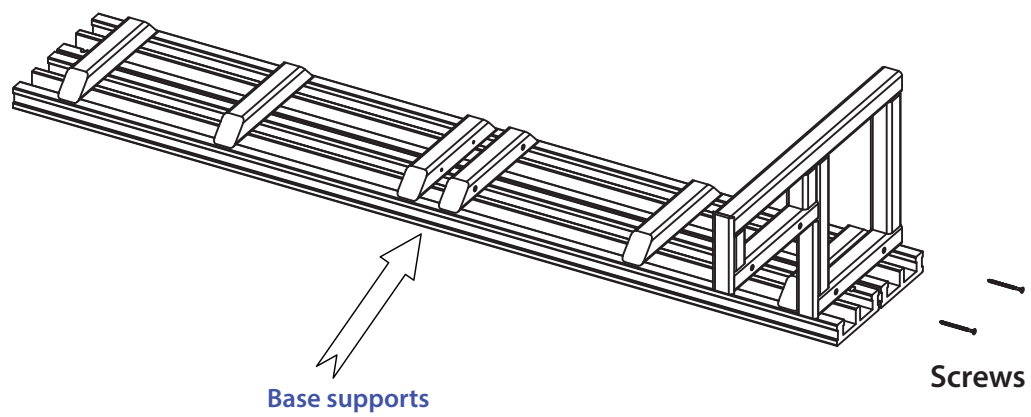
the screws can be attached to the support beams with the Phillips head screwdriver. The screw holes are already drilled into the bench supports.

The step support beams are made to fit into slots on the bottom of the bench
(see illustration below)

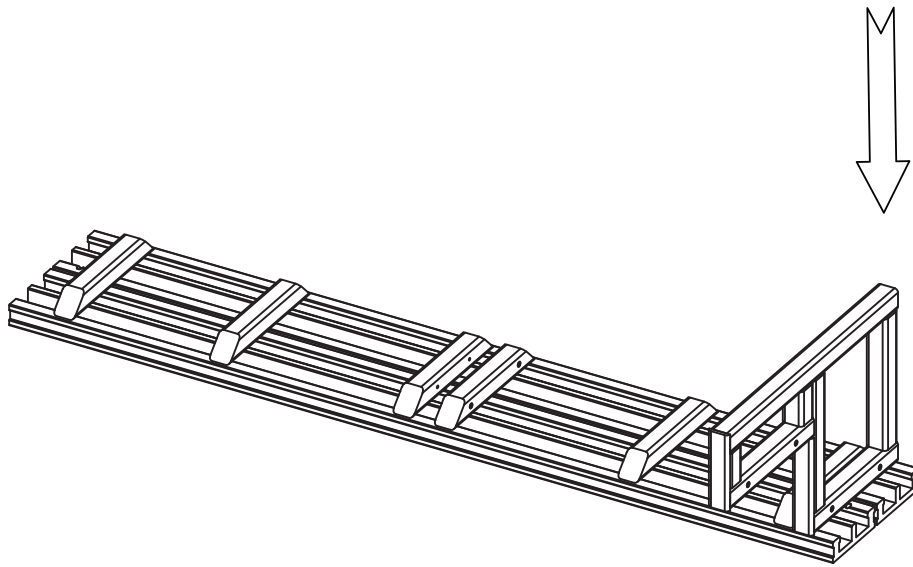


**Begin to attach the supports underneath the top part of the 2-tier bench .
(see illustration below)**

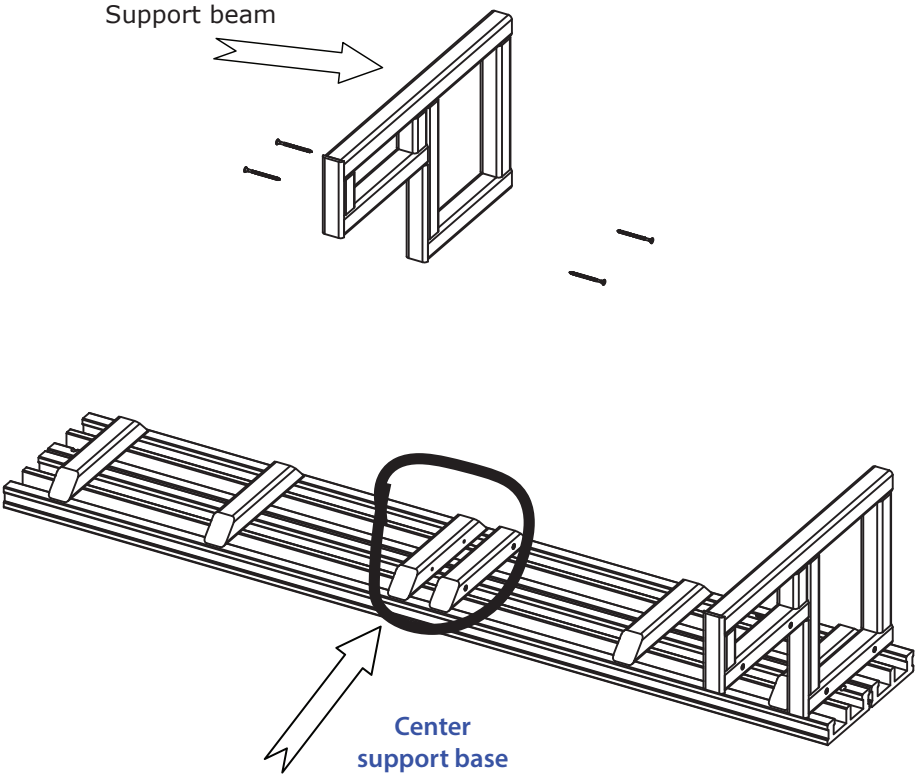
Use the screws to secure the support beams to the base underneath the bench.



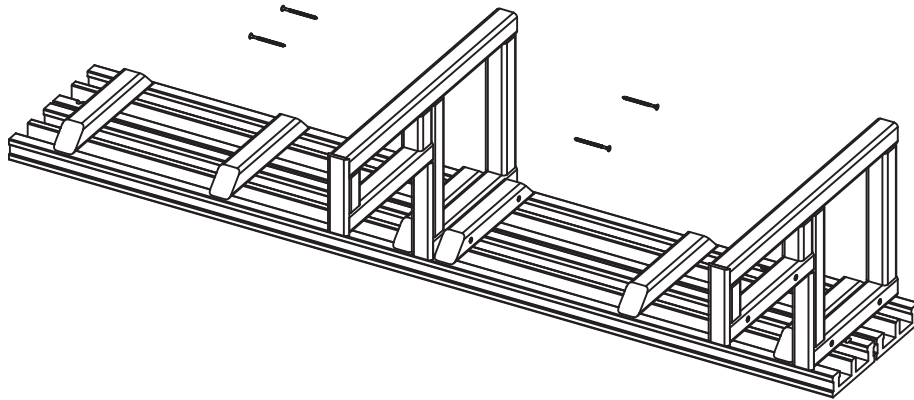
Be sure to secure the first support beam to the bottom of the steps



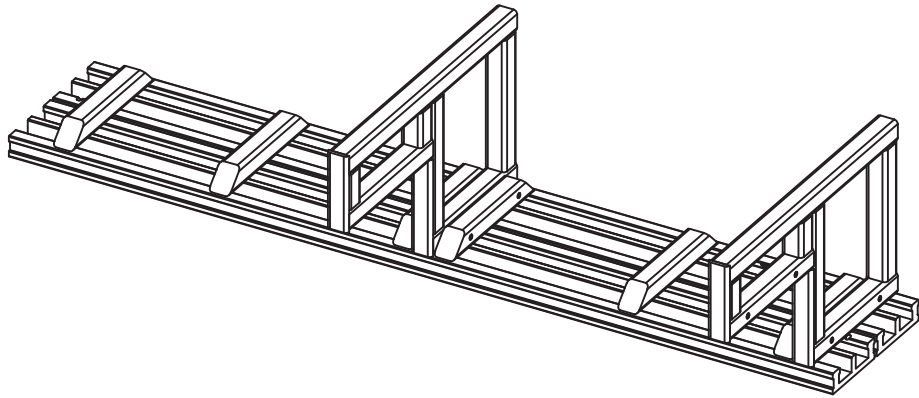
be sure to secure both sides of the support beam that fits into the center support base

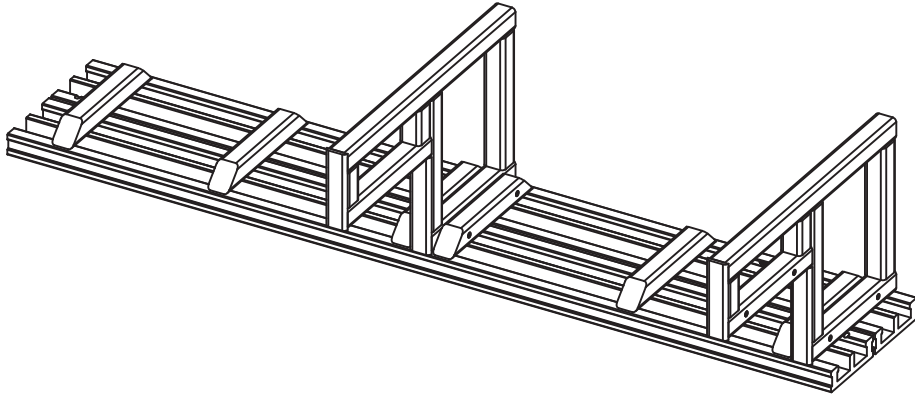
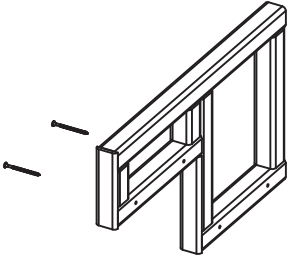


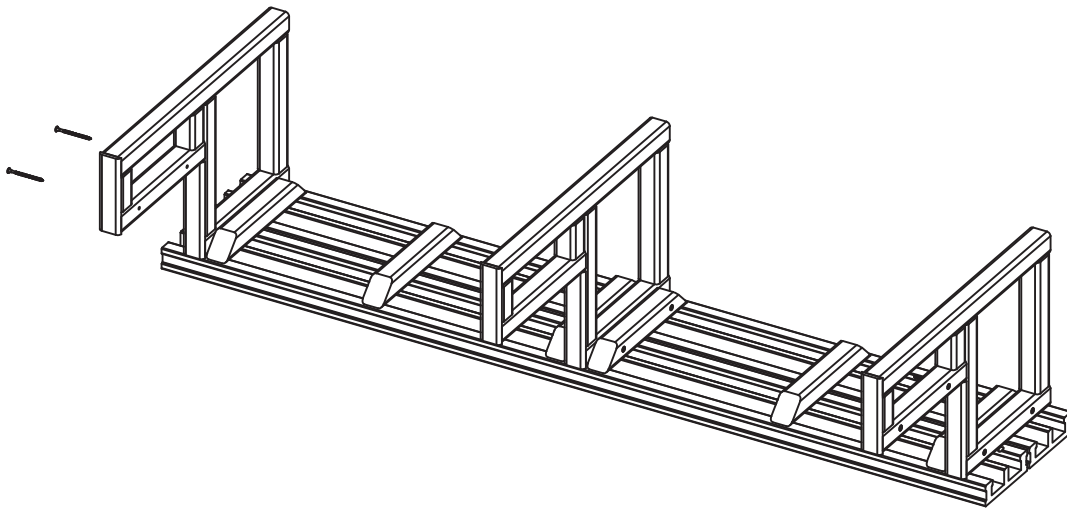
be sure to secure both sides of the support beam
that fits into the center support base

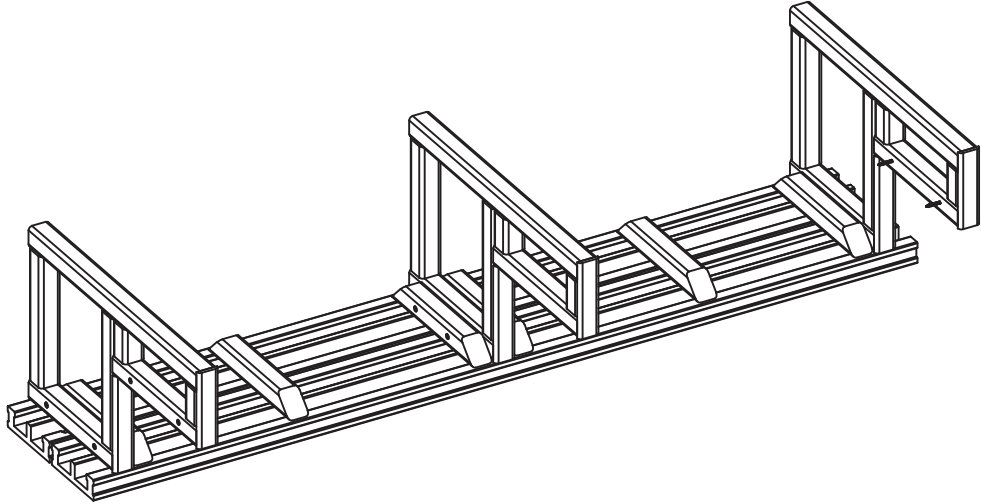


As the supports are secured, they will look like the illustration below

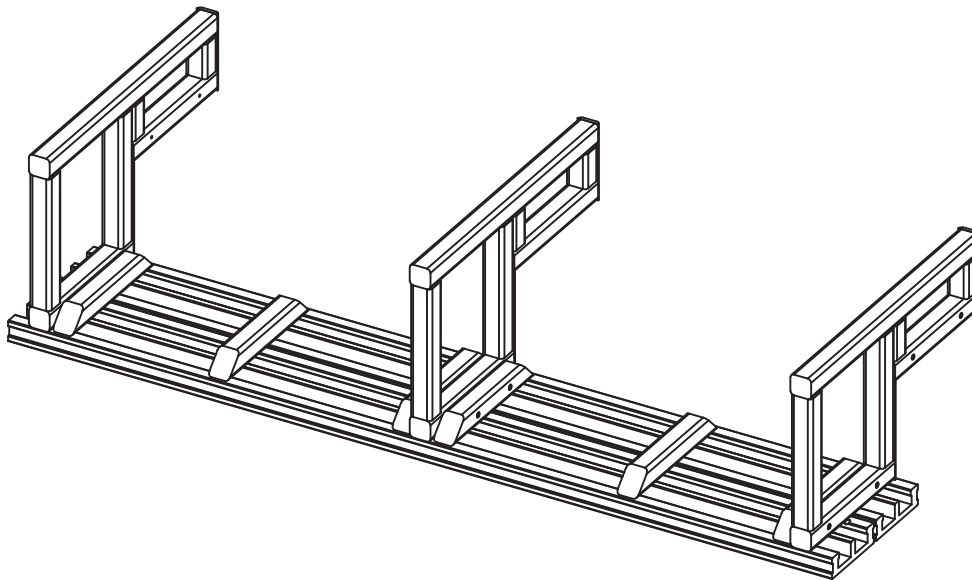
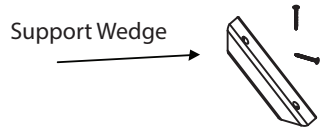




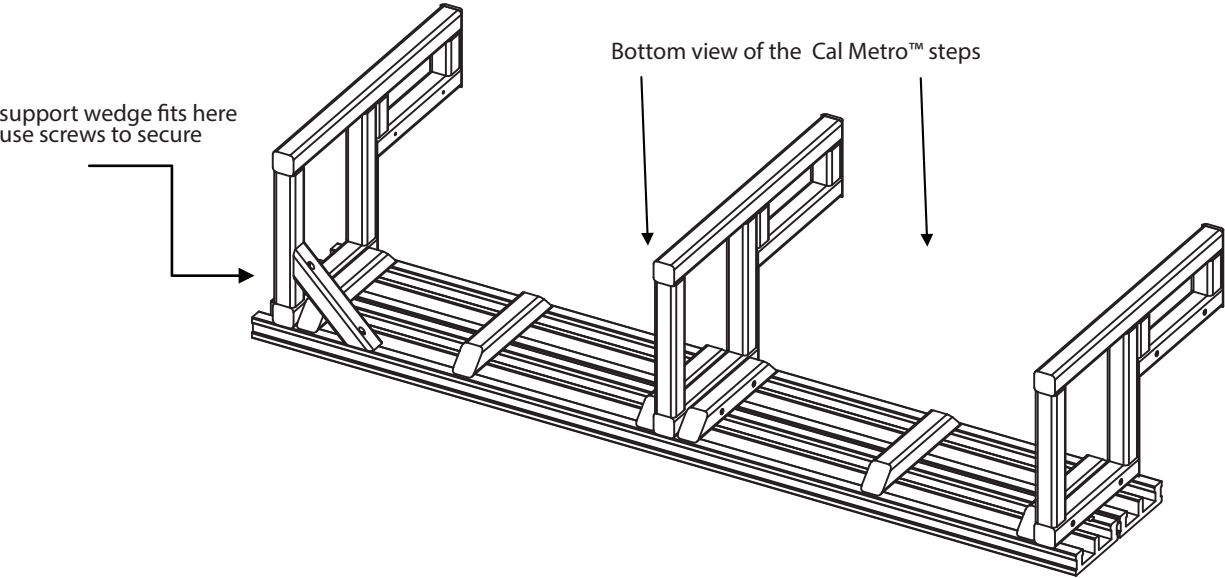


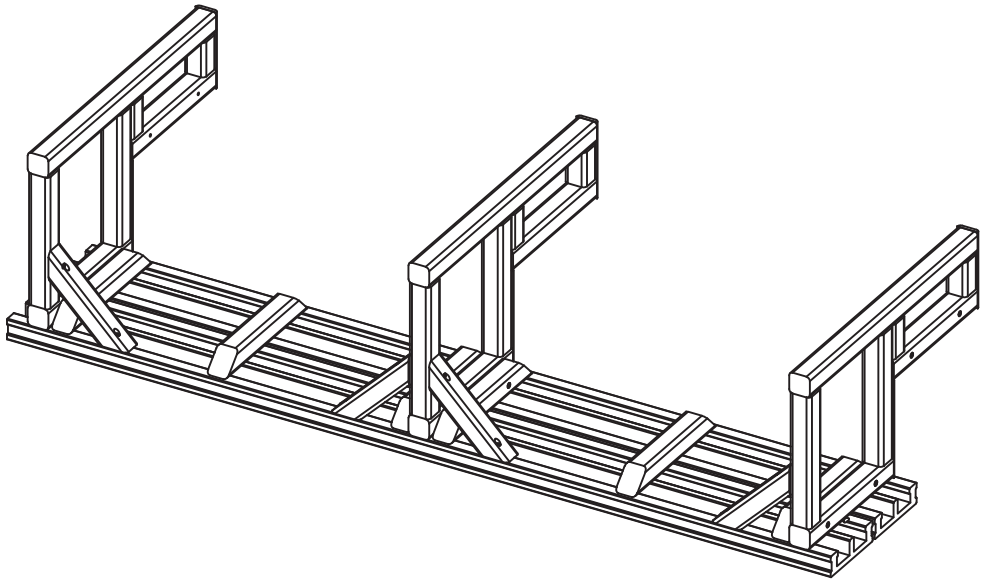


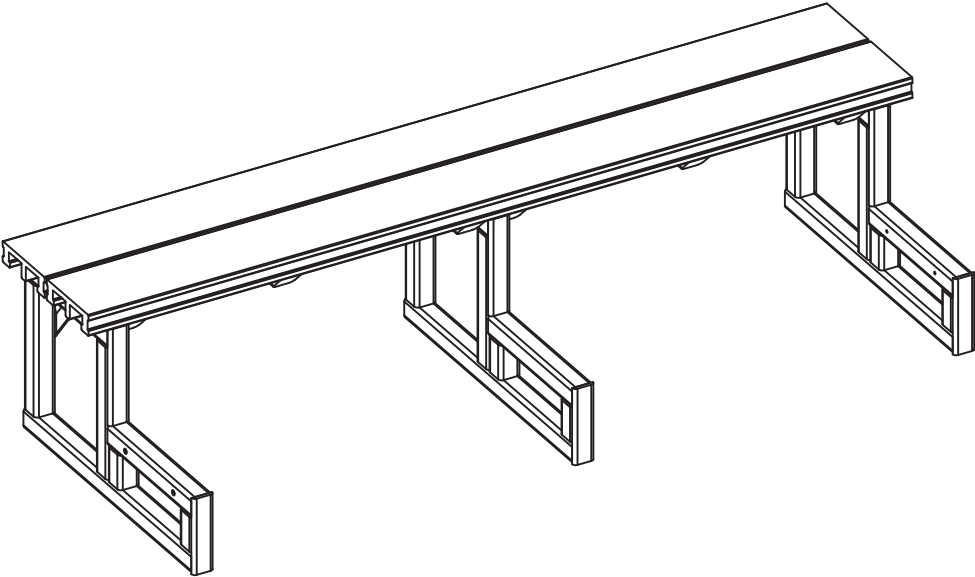
The bench wedges to support the beams at the bottom will fit at the base of the steps.
(please see picture below)



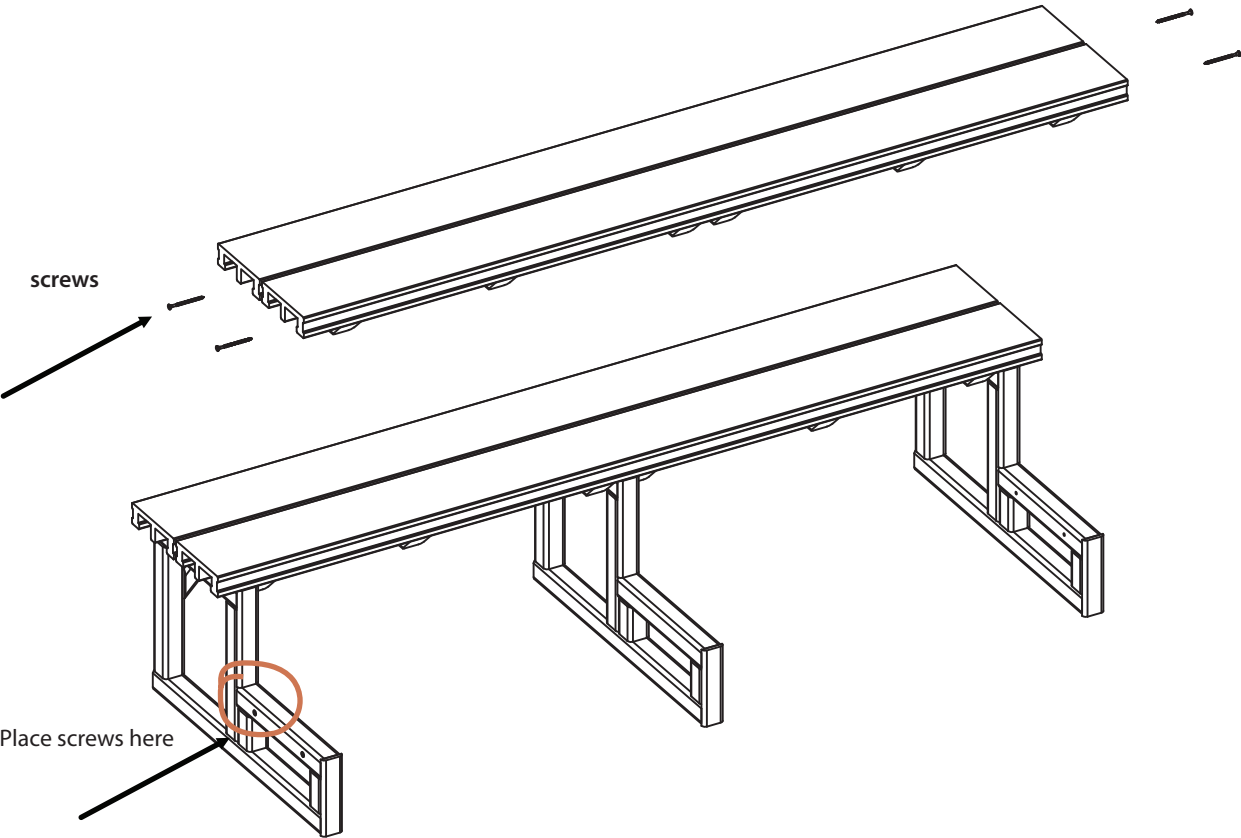
The bench wedges to support the beams at the bottom will fit at the base of the steps.
(please see picture below)



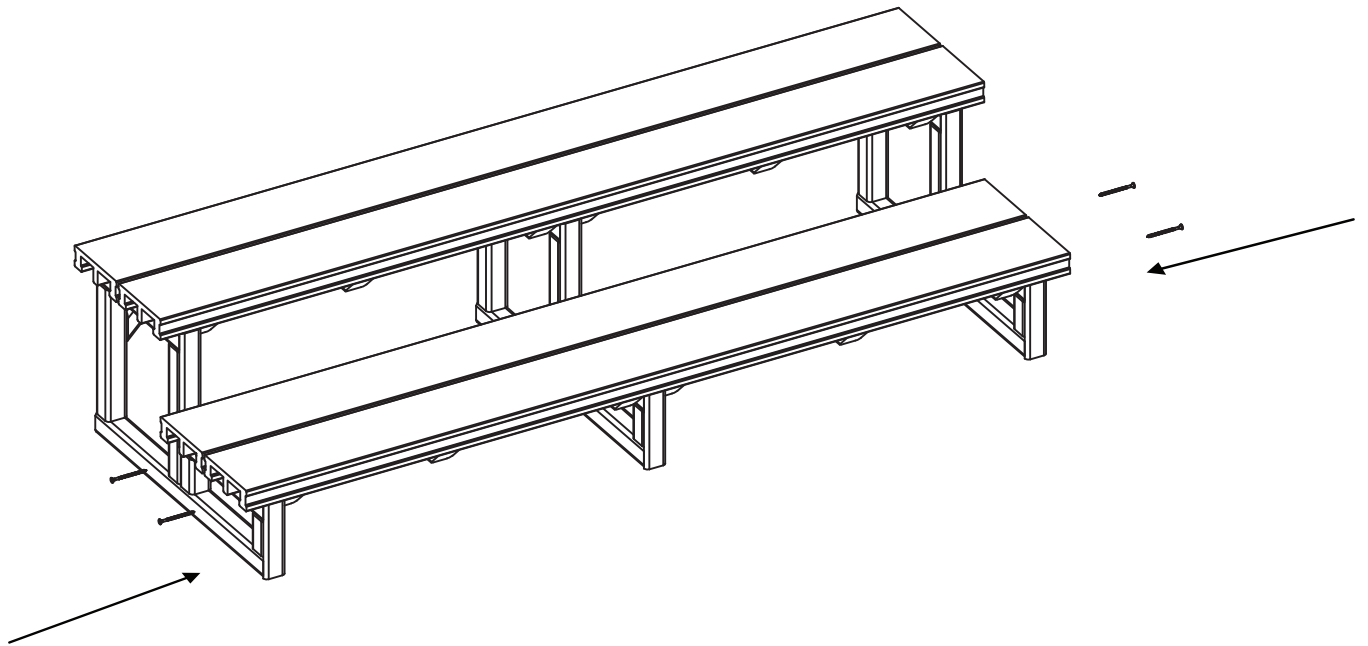
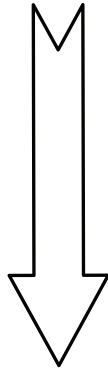




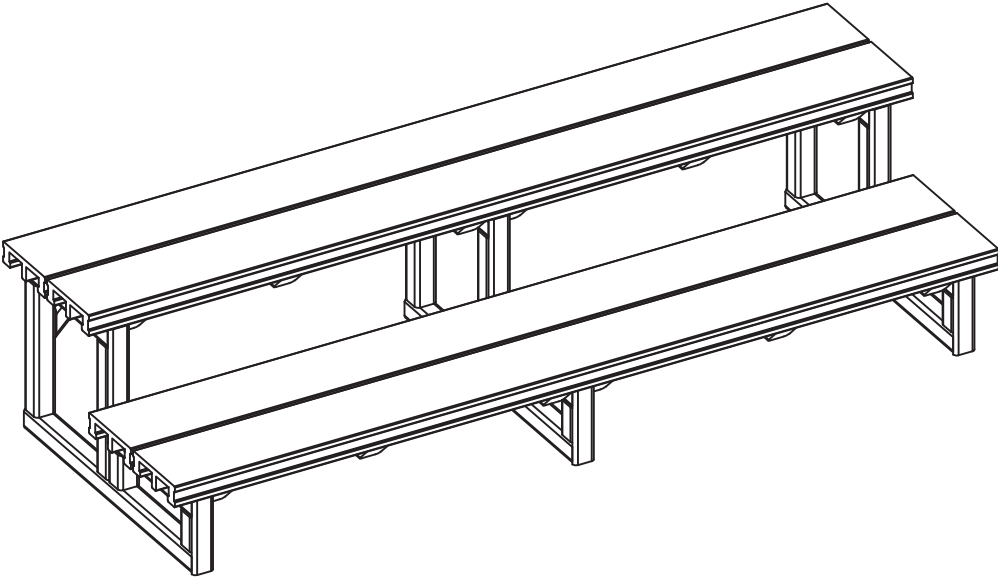
The second (lower level) of the steps are shown here with pictures of the screws and where they should be placed.



Repeat the process for the 2nd tier of the steps and tighten all screws. Your results should look like the illustration below.



Your completed bench will look like the illustration below when finished
Please be sure that screws are tightened for a secure fit.



CAL METRO™

CONTACT INFORMATION

For customer service, please contact your authorized dealer immediately. If you need additional information and/or assistance, contact:

Lloyd's Material Supply Company, Inc.
Customer Service Department
1462 East Ninth Street
Pomona, CA 91766.

Toll Free: 1-800-CAL-SPAS
Fax: 1-909-629-3890

The logo for Cal Spas, featuring the words "Cal Spas" in a stylized, blue, cursive script font.

LTR20091088
6/30/2023