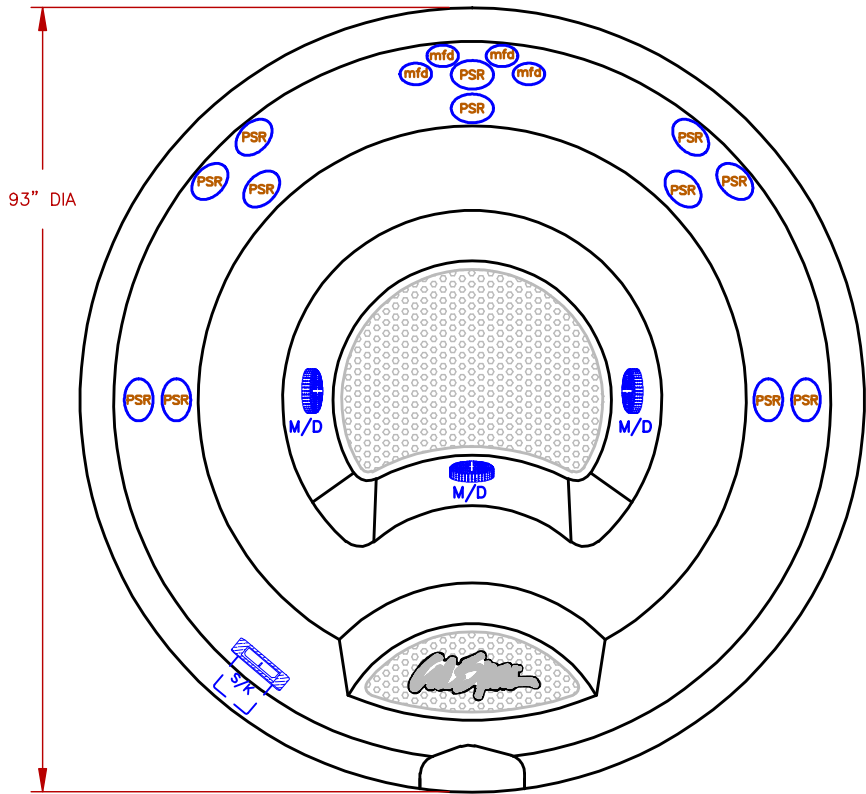
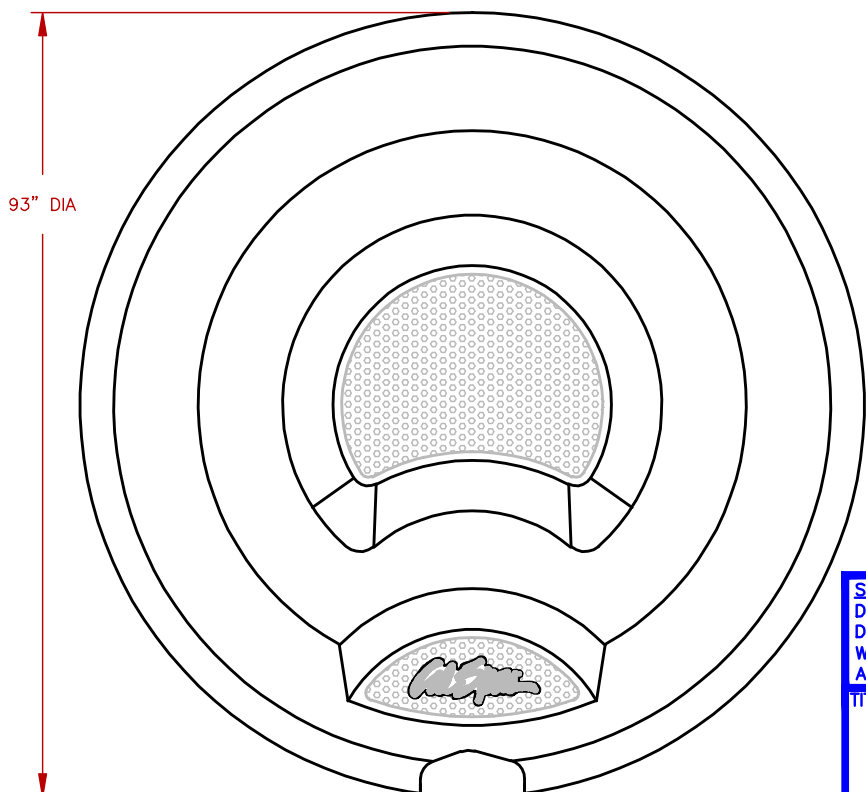


LINE	DESIGNER
MODEL	IGJ-401-16
NUM	



16 JETS LEGEND			
QTY.	SYMB.	DESCRIPTION	PART#
4	(mfd)	MINI STORM DIRECTIONAL BLK JET	PLUCS2295061S
12	(PSR)	PWR STORM RIFFLED BLK JET	PLUCS2295141S
3	(M/D)	MAIN DRAIN	
1	(SK)	SKIMMER	

LINE	DESIGNER
MODEL	IG-401
NUM	



SPECIFICATIONS	
DIMENSIONS (IN)	93"-DIA X 34"
DIMENSIONS (CM)	236
WATER CAP.	500 GAL
APP. WEIGHT	500 LBS



TITLE		2018 SPA LINE DESIGNER SERIES INGROUND-401	
DWG BY	J.ORNELAS	DATE	12/12/17
REV	DESCRIPTION	REV	No.

NOTE: DUE TO OUR CONTINUOUS IMPROVEMENT PROGRAM, ALL MODELS AND SPECIFICATIONS ARE SUBJECT TO CHANGE WITHOUT NOTICE.

SCALE: