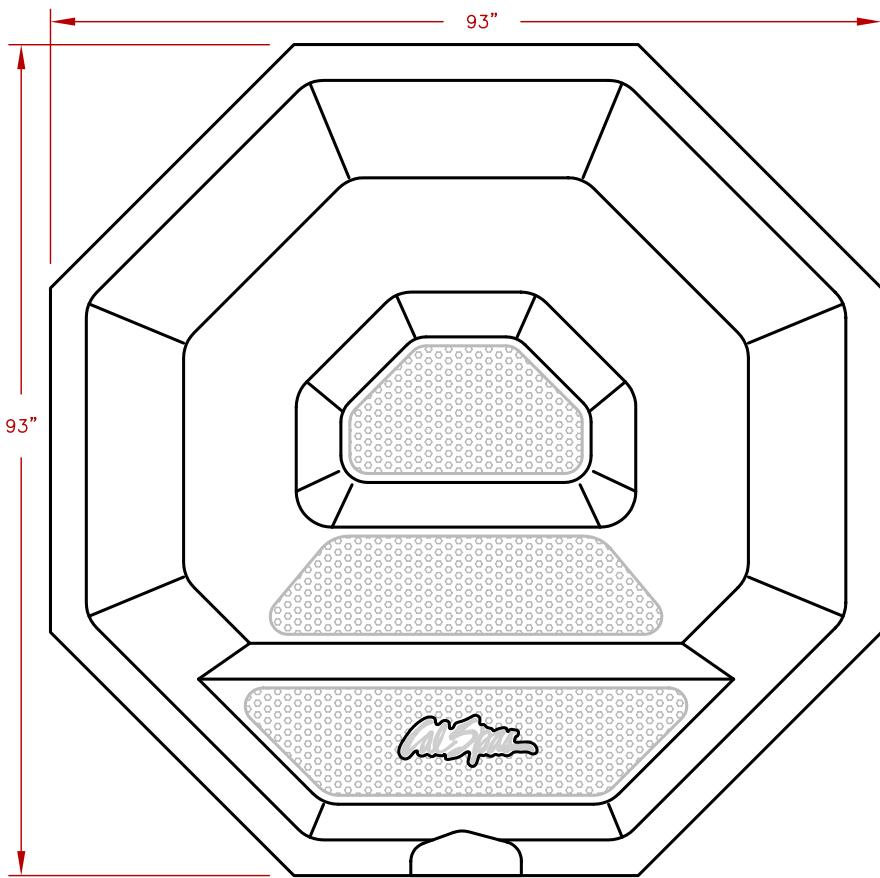


LINE	DESIGNER
MODEL	IGJ-402-16
NUM	

16 JETS LEGEND			
QTY.	SYMB.	DESCRIPTION	PART#
4	(mfd)	MINI STORM DIRECTIONAL BLK JET	PLUCS2295061S
12	(PSR)	PWR STORM RIFFLED BLK JET	PLUCS2295141S
3	(M/D)	MAIN DRAIN	
1	(SK)	SKIMMER	



LINE	DESIGNER
MODEL	IG-402
NUM	

**SPECIFICATIONS**  
 DIMENSIONS (IN) 93" X 93" X 32"  
 DIMENSIONS (CM) 236 x 236 x 81  
 WATER CAP. 500 GAL  
 APP. WEIGHT 500 LBS



TITLE		2017 SPA LINE DESIGNER SERIES INGROUND-402	
DWG BY	G.GARCIA	DATE	12/02/16
REV DESCRIPTION		REV No.	

NOTE: DUE TO OUR CONTINUOUS IMPROVEMENT PROGRAM, ALL MODELS AND SPECIFICATIONS ARE SUBJECT TO CHANGE WITHOUT NOTICE.

SCALE: