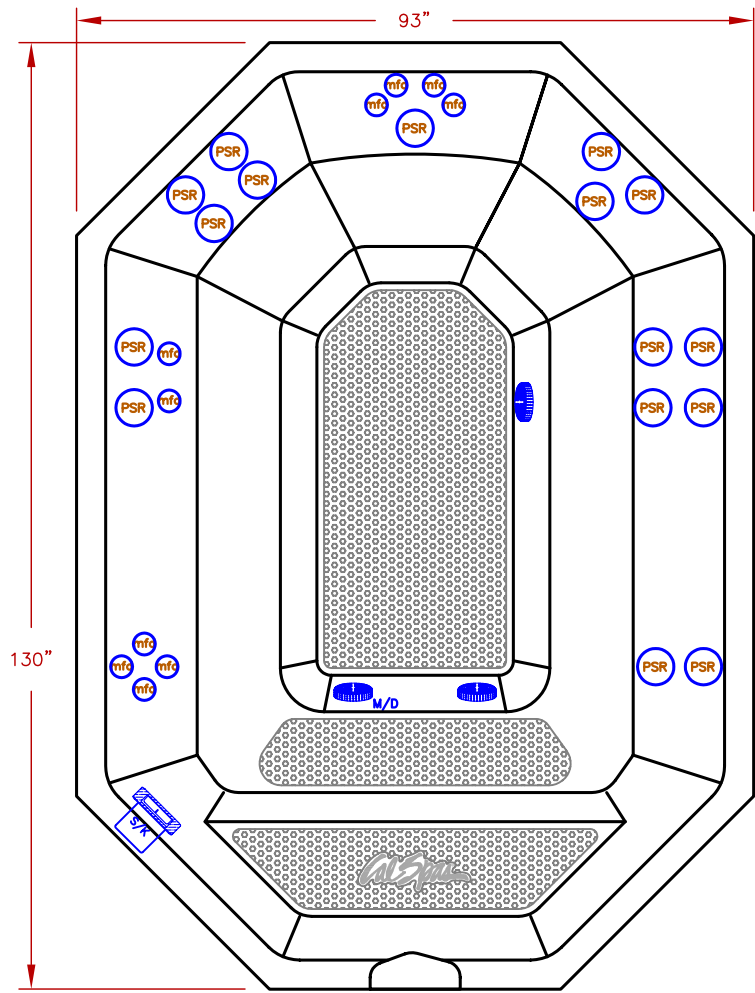
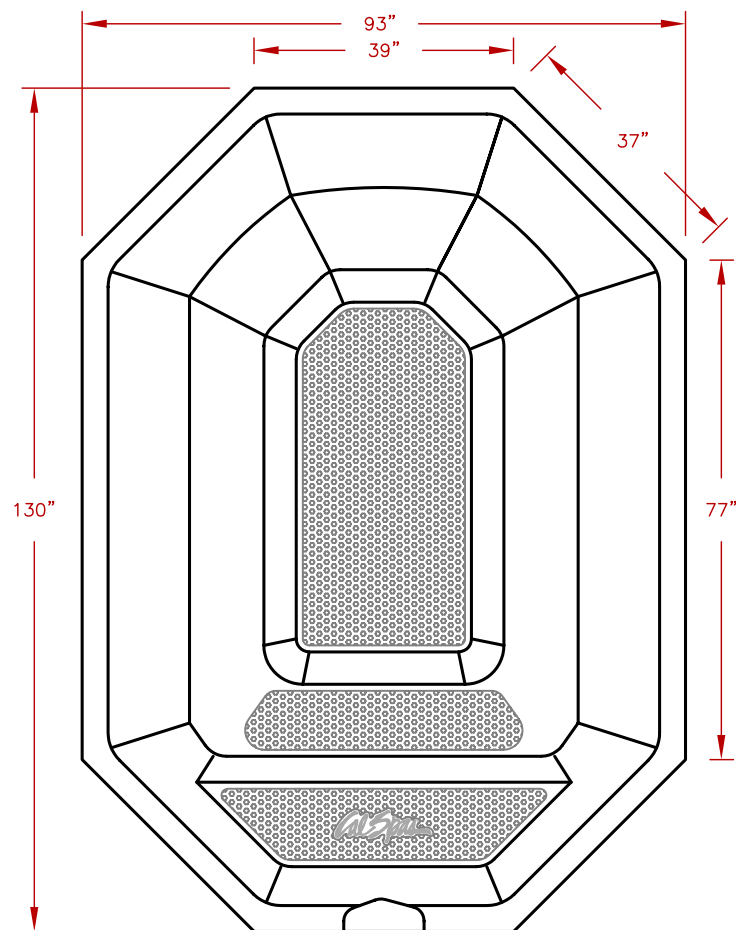


LINE	DESIGNER
MODEL	IGJ-405-26
NUM	



26 JETS LEGEND			
QTY.	SYMB.	DESCRIPTION	PART#
10	(mfd)	MINI STORM DIRECTIONAL BLK JET	PLUCS2295061S
16	(PSR)	PWR STORM RIFFLED BLK JET	PLUCS2295141S
3	(M/D)	MAIN DRAIN	
1	(SK)	SKIMMER	

LINE	DESIGNER
MODEL	IG-405
NUM	



NOTE: DUE TO OUR CONTINUOUS IMPROVEMENT PROGRAM, ALL MODELS AND SPECIFICATIONS ARE SUBJECT TO CHANGE WITHOUT NOTICE.

SPECIFICATIONS DIMENSIONS (IN) 93" X 130" X 32" DIMENSIONS (CM) 236 x 330 x 81 WATER CAP. 900 GAL APP. WEIGHT 750 LBS			
TITLE 2017 SPA LINE DESIGNER SERIES INGROUND-405			
DWG BY	G.GARCIA	DATE	12/02/16
REV DESCRIPTION		REV No.	

SCALE: