

CS6200DV Tech Sheet

Cal Spas System PN 55738

System Model # VS5-CS6200DV-BCAH

Software Version # 45

EPN # 3091

Base PCBA - PN 55739

PCB VS500DVH - PN 23928 Rev A

Base Panels

Mini-dash – PN 53850-06

with Overlay 12152



System Revision History

System PN	EPN	Date	Requested By	Changes Made
55739	3091	10-23-09	Customer	Initial release of Dual Voltage heater model

Basic System Features and Functions

Power Requirements

- 240VAC, 60Hz, 48A, Class A GFCI-protected service (Circuit Breaker rating = 60A max.)
- 4 wires [hot, hot, neutral, ground]
- Can also be configured to run on a 40A service with a 50A breaker
- Can also be configured to run on a 32A service with a 40A breaker

See Page 8 for additional system configuration information based on electrical service provided.

System Outputs

Setup 1 (As Manufactured)

- 240V Pump 1, 2-Speed
- 240V Pump 2, 1-Speed
- 120V Ozone
- 12V Spa Light
- 120V AV (Stereo)
- 240V 5.5kW XL Heater **

Setup 2

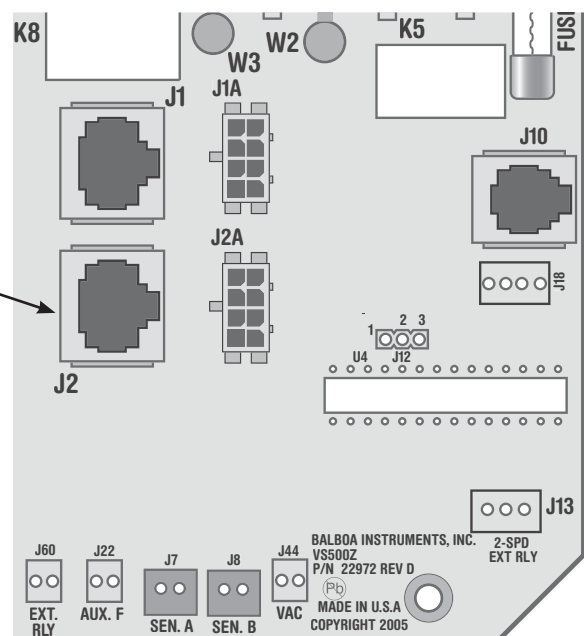
- 240V Pump 1, 1-Speed
- 240V Pump 2, 1-Speed
- 120V Ozone *
- 12V Spa Light
- 120V AV (Stereo)
- 120V Circ Pump *
- 240V 5.5kW XL Heater **

* Ozone and Circ Pump must be same voltage.

** Heater wattage is rated at 240V. When running 120V to heater, output is approximately 25%.

Additional Options

- Full Feature Dolphin Remote and Spa-only Dolphin Remote
- IR Receiver Module
Connects to terminal J1 or J2
- MoodEFX Lighting
Connects to Spa Light terminal J20
- FiberEFX Lighting
Connects to Spa Light terminal J20



Basic System Features and Functions

Any time you change a DIP Switch, other than A1, you must reset Persistent Memory for your new DIP Switch Settings changes to take effect. If you do not reset Persistent Memory, your system may function improperly.

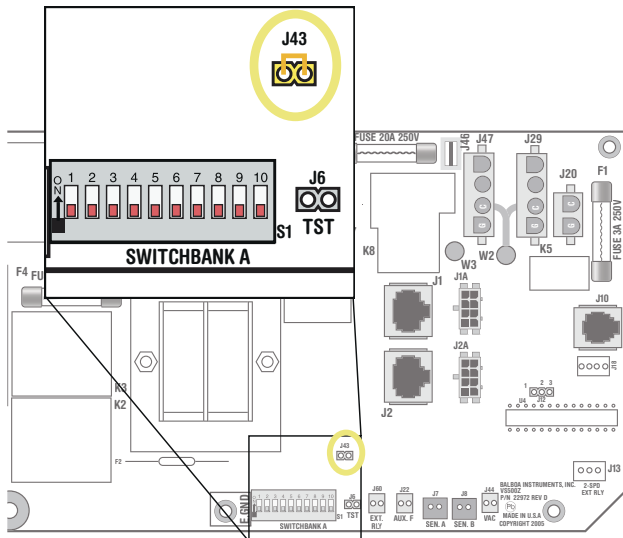
To reset Persistent Memory:

- Power down by disconnecting power source from spa.
- Put a jumper across J43, covering both pins. (See illustration below)
- Power up by connecting power source to spa.
- Wait until “P” is displayed on your panel.
- Power down again.
- Remove jumper from J43 (May also move to cover 1 pin only)
- Power up again.

About Persistent Memory and Time of Day Retention:

This system uses memory that doesn't require a battery to store a variety of settings. What we refer to as Persistent Memory stores the filter settings, the set temperature, and the heat mode.

Persistent Memory is not used for Time of Day. Only models with a Serial Deluxe panel installed (VS5xxDZ and GS5xxDZ) can display the time. However, during power loss to the spa, the system will lose the correct time, and reset to 12:00 PM when power is restored.



J43 on VS5xxZ and VS300 Series Main Board Shown.

Power Up Display Sequence

Upon power up, you should see the following on the display:

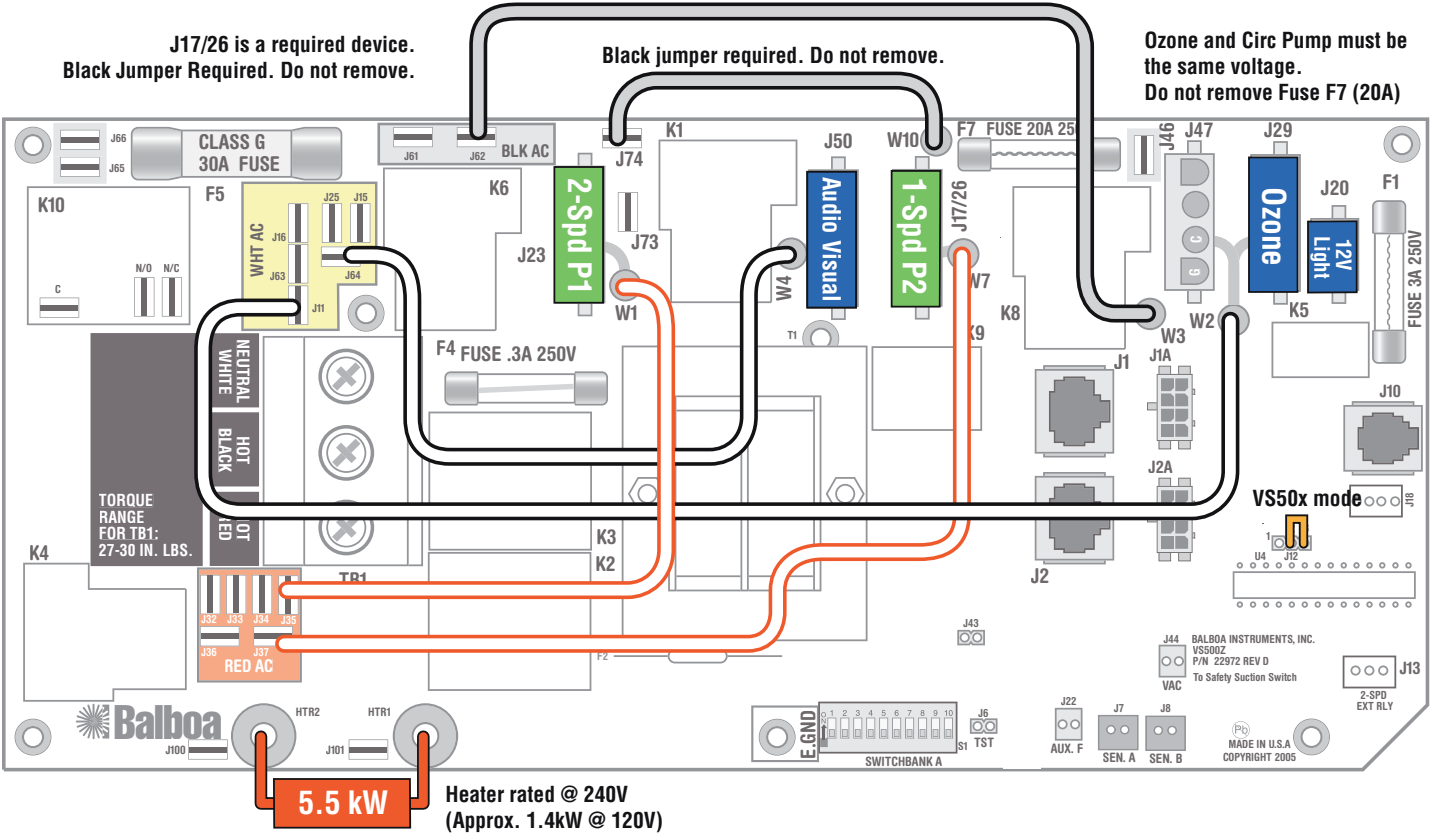
- Three numbers in a row, which are the SSID (the System Software ID). The third display of these numbers is the Software Version, which should match the version of your system. For example, if these three numbers are 100 67 38, that is a VS511SZ at version 38.
- Displayed next is: “24” (indicating the system is configured for a heater between 3 and 6 kW) or “12” (indicating the system is configured for a heater effectively* between 1 and 3 kW). “24” should appear for all VS models running at 240VAC. “12” should appear for all VS models running at 120VAC, as well as all GS models. (*A heater which is rated at 4 kW at 240VAC will function as a 1 kW heater at 120VAC.)
- “P” will appear to signal the start of Priming Mode.

At this point, the power up sequence is complete. Refer to the Reference Card for the VS or GS System model of your spa for information about how the spa operates from this point on, including how to adjust the Time of Day if using a Serial Deluxe style panel.

Wiring Configuration and DIP Settings

Setup 1 (As Manufactured)

- 240V Pump 1, 2-Speed
- 240V Pump 2, 1-Speed
- 120V Ozone
- 12V Spa Light
- 120V AV (Stereo)
- 240V 5.5kW XL Heater
- Mini-dash Main Panel



WARNING: Main Power to system should be turned OFF BEFORE adjusting DIP switches.
WARNING: Persistent Memory (J43) must be RESET to allow new DIP switch settings to take effect. (See Persistent Memory page)

SSID #

20
66
45

Switchbank A

A1, Test Mode OFF
A2, STD/ECN/SLP Modes
A3, Mini-dash Panel
A4, Aux Freeze
A5, Dual-Voltage Heat
A6, Safety Suction
A7, See Table 1
A8, Degrees F
A9, Non-Circ Mode
A10, See Table 1

VS51x/VS5xxS/VS5xxD Compatible

J12

J43 Memory Reset

Panel Button Assignments

1=Pump 2 4=Light
2=Pump 1 Aux=Exp. Brd.
3=Temp

Panel Button Positions

Wiring Color Key

- 120 Volt Connections
- 240 Volt Connections
- Black AC Jumpers
- 12 Volt Connections
- Relay Control Wires

Board Connector Key

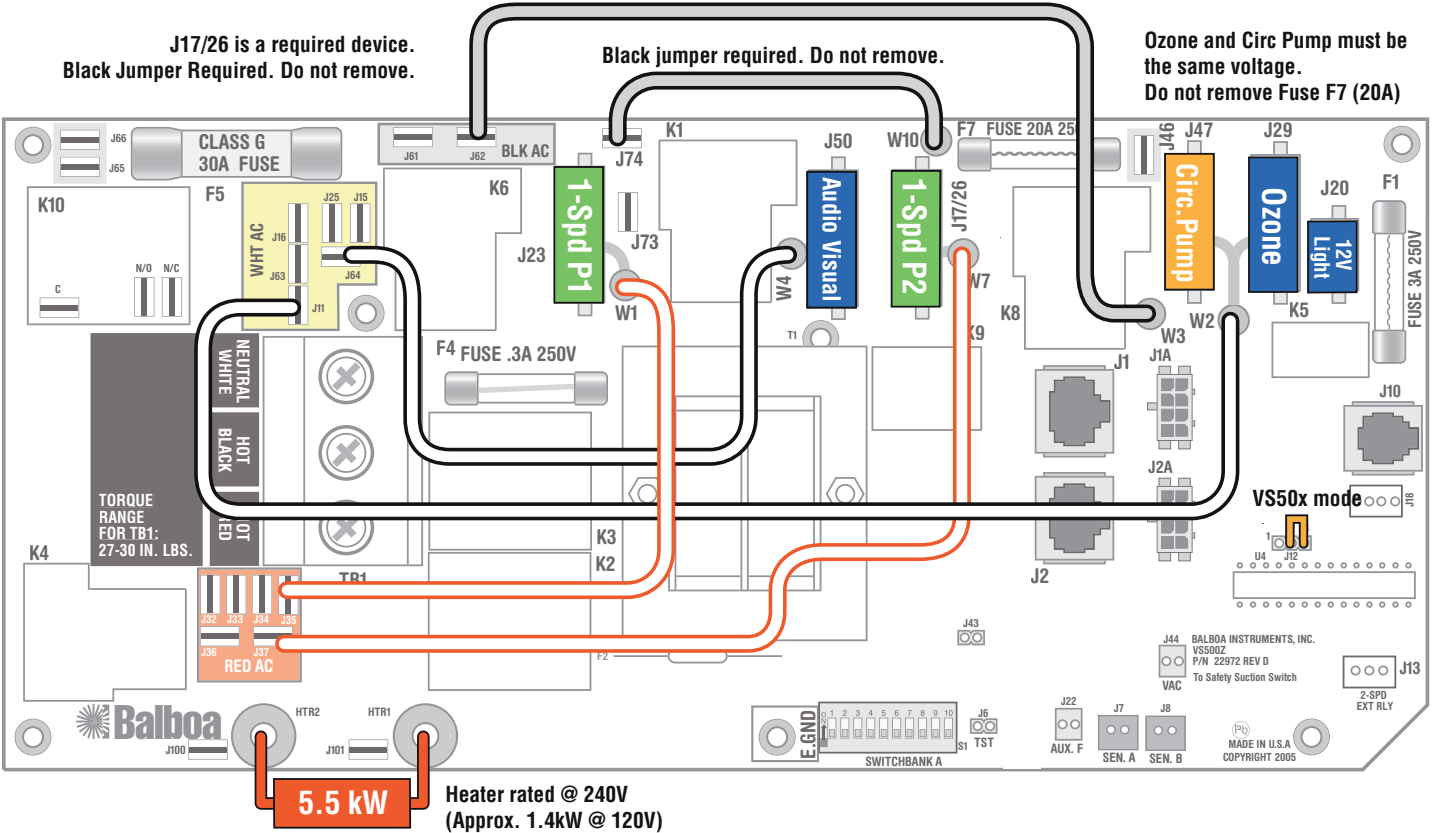
1 Typically Line voltage
2 Typically Line voltage for 2-speed pumps
3 Neutral (Common)
4 Ground

Note flat sides in connector

Wiring Configuration and DIP Settings

Setup 2

- 240V Pump 1, 1-Speed
- 240V Pump 2, 1-Speed
- 120V Ozone
- 120V Circ Pump
- 12V Spa Light
- 120V AV (Stereo)
- 240V 5.5kW XL Heater
- Mini-dash Main Panel



WARNING: Main Power to system should be turned OFF BEFORE adjusting DIP switches.
WARNING: Persistent Memory (J43) must be RESET to allow new DIP switch settings to take effect. (See Persistent Memory page)

SSID #

20
66
45

Switchbank A

A1, Test Mode OFF
A2, STD/ECN/SLP Modes
A3, Mini-dash Panel
A4, Aux Freeze
A5, Dual-Voltage Heat
A6, Safety Suction
A7, See Table 1
A8, Degrees F
A9, Circ acts like Pump 1 low
A10, See Table 1

VS51x/VS5xxS/VS5xxD
Compatible

J12

J43 Memory Reset

Panel Button Assignments

1=Pump 2 4=Light
2=Pump 1 Aux=Exp. Brd.
3=Temp

Panel Button Positions

Wiring Color Key

- 120 Volt Connections
- 240 Volt Connections
- Black AC Jumpers
- 12 Volt Connections
- Relay Control Wires

Board Connector Key

1 Typically Line voltage
2 Typically Line voltage for 2-speed pumps
3 Neutral (Common)
4 Ground


Note flat sides in connector

DIP Switches and Jumper Definitions

SSID 20 66 45

Base Model VS512Z

DIP Switch Key

- A1 Test Mode (normally OFF)
- A2 "ON" position: Standard mode only
"OFF" position: Std/Ecn/Sleep mode changes allowed
- A3 "ON" position: use Mini Panel 
"OFF" position: use Mini-dash panel
- A4 Aux Freeze (must be OFF)
- A5 "ON" position: Dual-Voltage Heater enabled
"OFF" position: Single-Voltage heating (240VAC only)
- A6 Safety Suction (must be OFF)
- A7+A10 Control amp draw requirements (See Table 1)
- A8 "ON" position: temperature is displayed in degrees Celsius
"OFF" position: temperature is displayed in degrees Fahrenheit
- A9 In "ON" Position, Circ Pump acts like Pump 1 low-speed (filter cycle, polls)
Pump 1 is one-speed
In "OFF" position, no circ pump. Pump 1 is two-speed

Note: Panel layout is always Pump 2, Pump 1, Temp, Light, with optional Blower or Pump 3 on 1-button Aux Panel.**

When using a Blower, use X-B expander board. When using a 1-speed Pump 3, use X-P or X-P231, depending on amperage requirements.

** J2 connector on main board must be a 6-pin connector to use Aux Panel. IR Receiver is not compatible.

Note: System is 60Hz only.

Table 1
Number of Hi-Speed Pumps that can Run Before Heater is Disabled (A5 OFF)
OR
Before Heater runs at 120VAC (A5 ON)

A7	A10	# of H.S.Pumps
OFF	OFF	0
ON	OFF	1
OFF	ON	2
ON	ON	3

Alert:

Pump 2 is required, connect to J17/26. To add Blower or Pump 3, use appropriate expander board and 1-button Aux Panel.

Jumper Key

J12 **Factory set. DO NOT MOVE.**

Jumper must be on Pins 1 and 2 for VS51xZ/VS52xZ/VS5xxSZ/VS5xxDZ software.

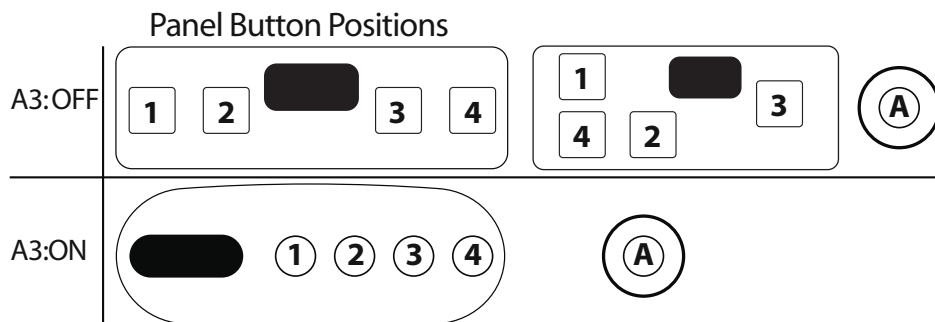
Jumper must be on Pins 2 and 3 for VS50xZ software.

J43 When jumper is placed on 2 pins during power-up, system will reset persistent memory.

Leave on 1 pin only to enable persistent memory feature.

WARNING:

- Setting DIP switches incorrectly may cause abnormal system behavior and/or damage to system components.
- Refer to Switchbank illustration on Wiring Configuration page for correct settings for this system.
- Contact Balboa if you require additional configuration pages added to this tech sheet.



Panel Button Assignments

1=Pump 2
2=Pump 1

3=Temp
4=Light

Aux=Expander Board

Configuration Notes

2 pumps x 11.1A max = 22.2A (or 2 pumps x 10.0A max = 20A)

5.5 kW heater at 240V = 23A nominal

5.5 kW heater at 120V = 11.5A nominal

Circ pump (setup 2 only) = 2.9A

A/V

On 32A service (40A breaker):

A5 OFF ((heater at 120V cannot run with both pumps on high*)

A7 OFF & A10 OFF (heater at 240V cannot run with even one pump on high)

* If using 10.0A max pumps, A5 still needs to be off for 32A service, because once you factor in A/V, ozone, spa light, main board, and panel power, it's beyond 32A, even without the circ pump.

On 40A service (50A breaker):

A5 ON (120V heater can run with both pumps on high plus circ pump and A/V, etc)

A7 ON & A10 OFF (heater at 240V can run with only one pump on high and other pump on low)

On 48A service (60A breaker):

11.1A max pumps with circ pump:

A5 ON (120V heater can run with both pumps on high plus circ pump and A/V, etc)

A7 ON & A10 OFF (heater at 240V can run with only one pump on high)

11.1A max pumps with no circ pump, or 10.0A max pumps (whether circ pump or not):

A5 ON (120V heater can run with both pumps on high plus circ pump and A/V, etc)

A7 OFF & A10 ON (heater at 240V can run with two pumps on high plus circ pump and A/V, etc)

Ozone Connections

Ozone Connector Voltage: The VS500Z circuit board is factory configured to deliver a preset voltage (120V or 240V) to the on-board ozone connector (J29). See the ratings table on the wiring diagram attached to the cover of the enclosure for the configured voltage. For 240V output W2 connects to Red AC and for 120V output W2 connects to White AC.

The voltage to the ozone connector can be changed in the field if required. W2 just needs to be set for the required voltage.

WARNING: Changing the voltage of the ozone connector also effects the voltage supplied to the circ pump connector (J47). Any equipment controlled by that connector may be damaged if the wrong voltage is selected.

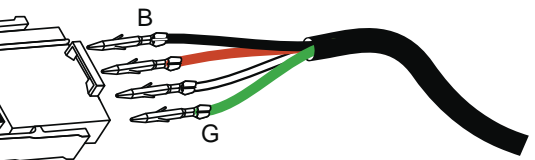
Balboa Ozone Generator: If the board is set up to operate a 120V ozone generator, the connector on the ozone generator is likely to be configured correctly, but should be compared to the illustration below.

If a 240V ozone generator is required, be sure the red wire in the ozone cord is positioned in the connector next to the green ground wire as described below.

Note: A special tool is required to remove the pins from the connector body once they are snapped in place. Check with your Balboa Account Manager for information on purchasing a pin-removal tool.

Balboa Ozone connector configuration for 120V 60Hz

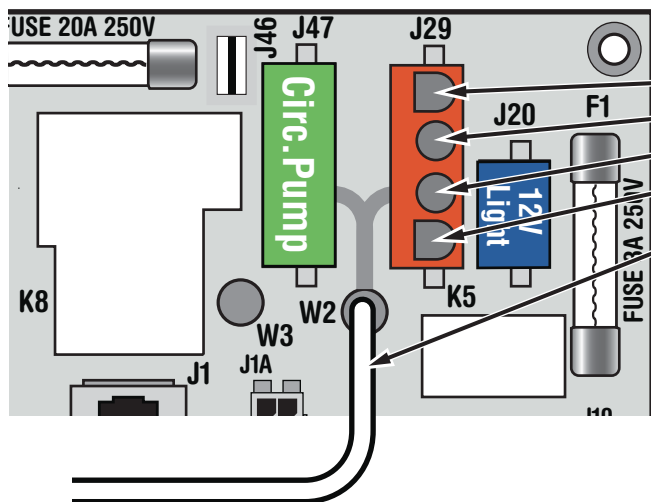
- Line - Black conductor
- Use this slot for the leftover Red conductor
- Common - Install the White conductor here for 120V ozone
- Ground (Green) conductor



Flat sides of sockets as shown

Balboa Ozone connector configuration for 240V 60Hz

- Line - Black conductor
- Use this slot for the leftover White conductor
- Common - Install the Red conductor here for 240V ozone
- Ground (Green) conductor



- Line - Black conductor
- Use this slot for the leftover conductor
- Common - Red for 240V or White for 120V ozone (See W2 wire)
- Ground (Green) conductor
- W2 wire determines voltage

Duplex Panel Configurations



Mini-dash
PN 53850-06 with Overlay PN 12152
• Connects to Main Panel terminal J1