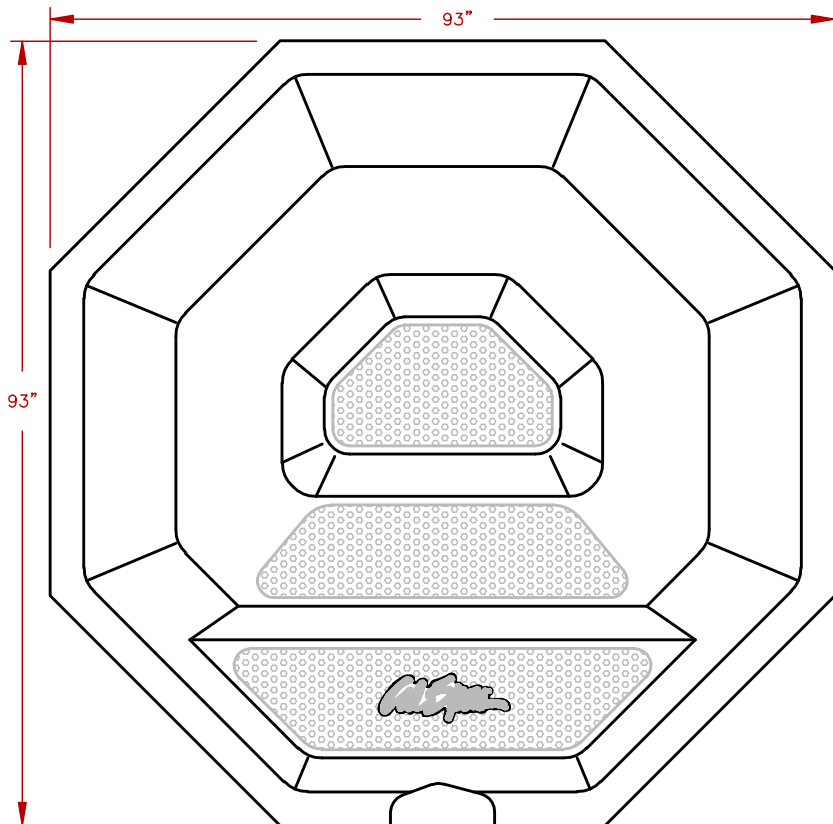


|       |            |
|-------|------------|
| LINE  | DESIGNER   |
| MODEL | IGJ-402-16 |
| NUM   |            |

| 16 JETS LEGEND |       |                                |               |
|----------------|-------|--------------------------------|---------------|
| QTY.           | SYMB. | DESCRIPTION                    | PART#         |
| 4              | (mfd) | MINI STORM DIRECTIONAL BLK JET | PLUCS2295061S |
| 12             | (PSR) | PWR STORM RIFFLED BLK JET      | PLUCS2295141S |
| 3              | (M/D) | MAIN DRAIN                     |               |
| 1              | (SK)  | SKIMMER                        |               |



|       |          |
|-------|----------|
| LINE  | DESIGNER |
| MODEL | IG-402   |
| NUM   |          |

**SPECIFICATIONS**  
 DIMENSIONS (IN) 93" X 93" X 32"  
 DIMENSIONS (CM) 236 x 236 x 81  
 WATER CAP. 500 GAL  
 APP. WEIGHT 500 LBS



TITLE  
 2018 SPA LINE  
 DESIGNER SERIES  
 INGROUND-402

DWG BY J. ORNELAS DATE 12/12/17

REV DESCRIPTION REV No.

NOTE: DUE TO OUR CONTINUOUS IMPROVEMENT PROGRAM, ALL MODELS AND SPECIFICATIONS ARE SUBJECT TO CHANGE WITHOUT NOTICE.

SCALE: